

## Main

Range of Product	Harmony Pocket Remote
Product or Component Type	Base station
Device short name	ZARB

## Complementary

Cable entry	Cable pre-wired
Material	ABS + PC
[Us] rated supply voltage	12...24 V DC
Provided Equipment	Internal antenna
Number of relays	5
Relay type	Motion relay outputs 5 C/O Auxiliary relay outputs
Safety outputs	2 NC relay outputs
Maximum switching current	10 A AC
Maximum switching voltage	240 V AC +/- 20 %)
Communication network type	Wireless
Transmission frequency	2.4 GHz
Maximum sensing distance	984.3 ft (300 m) in free field
Fixing Mode	4 holes
Electrical durability	100000 cycles
Mechanical durability	10000000 cycles
Width	4.7 in (120 mm)
Height	4.6 in (117 mm)
Depth	2.008 in (51 mm)
Net Weight	0.88 lb(US) (0.40 kg)

## Environment

IP degree of protection	IP66
Radio agreement	FCC IC
Relative humidity	0...97 %
Ambient Air Temperature for Operation	-4.0000000000...131.0000000000 °F (-20...55 °C)
Ambient Air Temperature for Storage	-40.0000000000...158.0000000000 °F (-40...70 °C)
Product Certifications	CE

The information provided in this documentation contains general descriptions and/or technical characteristics of the performance of the products contained herein. This documentation is not intended as a substitute for and is not to be used for determining suitability or reliability of these products for specific user applications. It is the duty of any such user or integrator to perform the appropriate and complete risk analysis, evaluation and testing of the products with respect to the relevant specific application or use thereof. Neither Schneider Electric Industries SAS nor any of its affiliates or subsidiaries shall be responsible or liable for misuse of the information contained herein.

## Ordering and shipping details

Category	US10CS222467
Discount Schedule	0CS2
GTIN	3606481499417
Returnability	Yes
Country of origin	CN

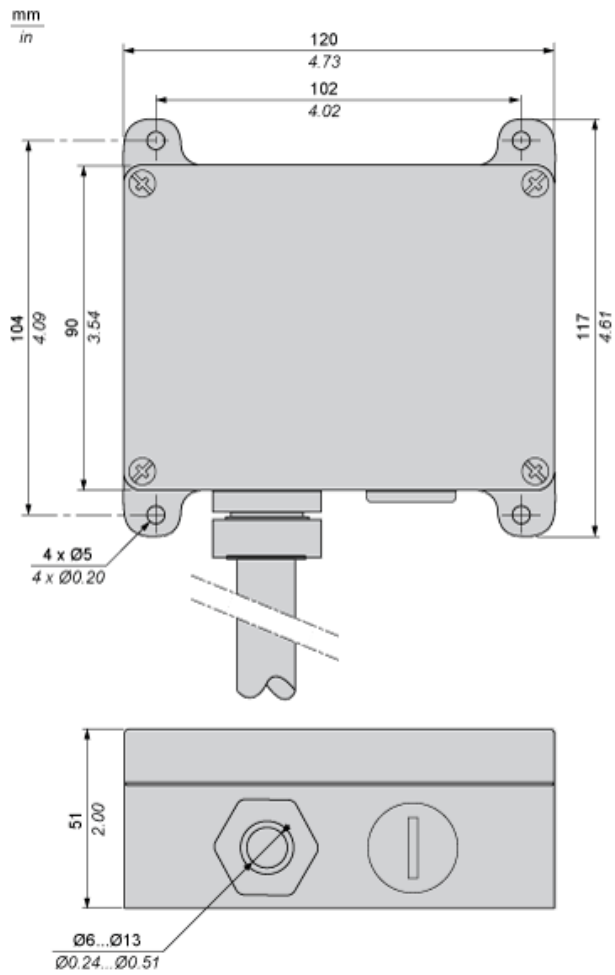
## Packing Units

Unit Type of Package 1	PCE
Number of Units in Package 1	1
Package 1 Height	3.0 in (7.5 cm)
Package 1 Width	7.3 in (18.5 cm)
Package 1 Length	8.9 in (22.5 cm)
Package 1 Weight	31.7 oz (900.0 g)
Unit Type of Package 2	S03
Number of Units in Package 2	7
Package 2 Height	11.8 in (30.0 cm)
Package 2 Width	11.8 in (30.0 cm)
Package 2 Length	15.7 in (40.0 cm)
Package 2 Weight	14.870 lb(US) (6.745 kg)

## Offer Sustainability

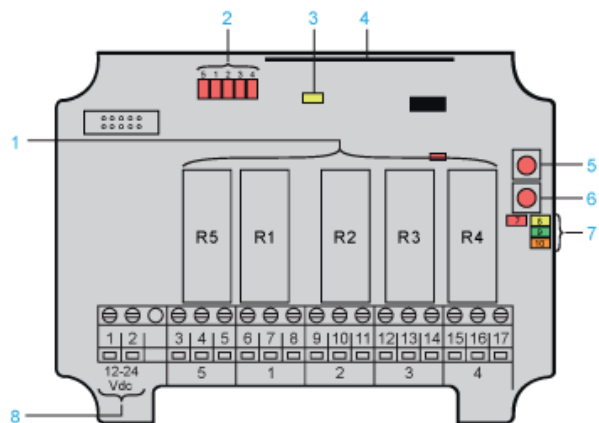
California proposition 65	WARNING: This product can expose you to chemicals including: Nickel compounds, which is known to the State of California to cause cancer, and Di-isodecyl phthalate (DIDP), which is known to the State of California to cause birth defects or other reproductive harm. For more information go to <a href="http://www.P65Warnings.ca.gov">www.P65Warnings.ca.gov</a>
EU RoHS Directive	Pro-active compliance (Product out of EU RoHS legal scope)
Mercury free	Yes
China RoHS Regulation	<a href="#">China RoHS Declaration</a>
RoHS exemption information	<a href="#">Yes</a>
WEEE	The product must be disposed on European Union markets following specific waste collection and never end up in rubbish bins.

Receiver Dimensions

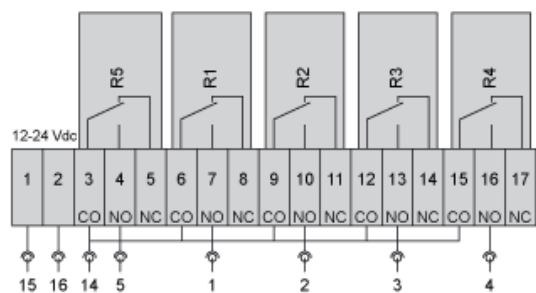


Receiver Wiring

Bottom layer



Part	Description
1	Relays R1...R5
2	Relays LEDs (red)
3	Power LED (yellow)
4	Radio module
5	Function button (cancel)
6	Select button (OK)
7	Function LEDs (7 = red, 8 = yellow, 9 = green, 10 = orange)
8	Terminal block for input power



Signal		Cable no.
Power supply / +		15
Power supply / -		16
Relay R5	Common	14
Output (NO type)	5	
Output (NC type)	-	
Relay R1	Common	-
Output (NO type)	1	
Output (NC type)	-	
Relay R2	Common	-
Output (NO type)	2	

Signal		Cable no.
Output (NC type)	-	
Relay R3	Common	-
Output (NO type)	3	
Output (NC type)	-	
Relay R4	Common	-
Output (NO type)	4	
Output (NC type)	-	