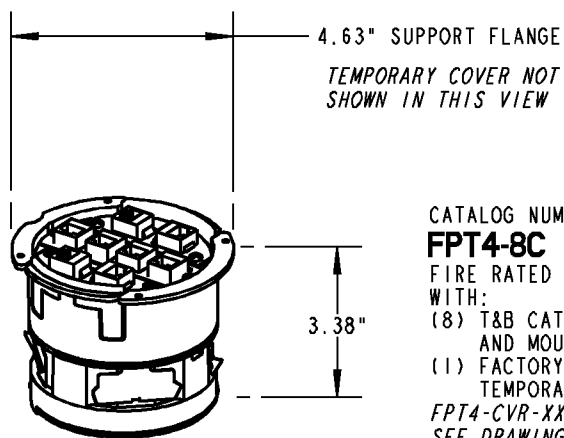


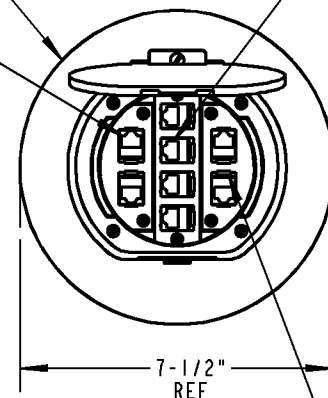
Steel City



FPT4-CVR-XXX COVER
SOLD SEPARATELY

(2) COMMUNICATION JACKS
LEFT COMPARTMENT (B)

(4) COMMUNICATION JACKS
CTR COMPARTMENT (A)



(2) COMMUNICATION JACKS
RIGHT COMPARTMENT (B)

CATALOG NUMBER:

FPT4-8C

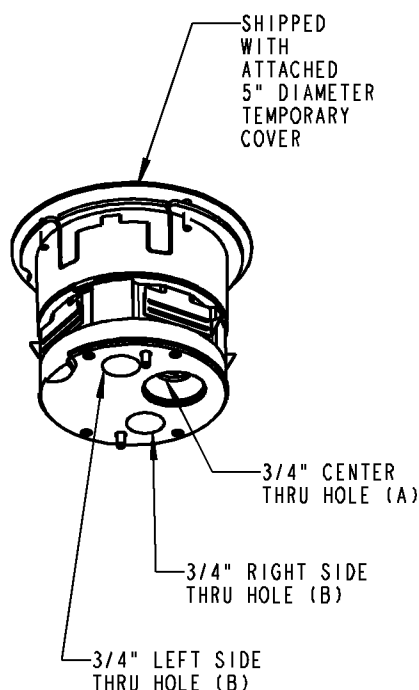
FIRE RATED POKE THROUGH BASE UNIT WITH:

- (8) T&B CAT 5E DATA JACKS AND MOUNTING PLATES
- (1) FACTORY INSTALLED 5" DIAMETER TEMPORARY COVER.

FPT4-CVR-XXX COVER SOLD SEPARATELY
SEE DRAWING WSD-000261

SPECIFICATIONS / FEATURES:

1. ALL METAL CONSTRUCTION WITH INTUMESCENT MATERIAL (FIRE RETARDANT).
2. CORE-DRILLED HOLE SIZE: 4 TO 4-1/16" DIAMETER
3. UL LISTED AND CLASSIFIED. MEETS OR EXCEEDS UL AND CANADIAN SAFETY SANDARDS.
4. FIRE RATING AND CONCRETE THICKNESS MIN/MAX:
FOR USE IN 1, 1-1/2 & 2-HOUR RATED FLOORS
1-HOUR RATED FLOOR
2-1/4" THICK MINIMUM CONCRETE OVER STEEL DECKING
3" MINIMUM CONCRETE FOR REINFORCED SLAB
7-1/2" MAXIMUM CONCRETE THICKNESS
2-HOUR RATED FLOOR - CONCRETE THICKNESS MIN/MAX:
3-1/4" THICK MINIMUM CONCRETE OVER STEEL DECKING
4" MINIMUM CONCRETE FOR REINFORCED SLAB
7-1/2" MAXIMUM CONCRETE THICKNESS
5. FLOOR COVERINGS:
FOR USE ON CARPET AND WOOD COVERED CONCRETE FLOORS, TILE FLOOR COVERINGS UP TO 3/4" MAXIMUM THICKNESS, AND LINOLEUM FLOOR COVERINGS UP TO A MAXIMUM OF 1/8" THICKNESS.
6. MAXIMUM ALLOWABLE COPPER CROSS-SECTIONAL AREA FOR COMMUNICATIONS:
LEFT SIDE THRU HOLE (B): .01536 SQ. INCHES
CENTER THRU HOLE (A): .01630 SQ. INCHES
RIGHT SIDE THRU HOLE (B): .01536 SQ. INCHES
SEE SHEET 2 FOR COPPER CROSS SECTIONAL AREA TABLE
7. COMMUNICATION CABLE AND JACKS CAN BE INSTALLED AFTER COVER IS INSTALLED TO FLOOR.
SEE SHEET 2
8. COMMUNICATION PLATES CAN BE ORDERED SEPARATELY FOR MOST DATA JACKS.
SEE SHEET 2 AND 3



Thomas & Betts
www.tnb.com

GENERAL NOTES

1. ALL DIMENSIONS ARE FOR REFERENCE ONLY.
2. DIMENSIONS IN BRACKETS [] ARE IN METRIC UNITS.

REVISIONS

** SEE ERN (****) FOR APPROVAL SIGNATURES & RELEASE DATE.
PROJECT NO: ****

DESCRIPTION:

FPT4-8C POKE THROUGH BASE UNIT

ORIGINAL PROJECT NO / (ERN NO)

UD55412 / (2006424)

SHEET NO:

1 OF 3

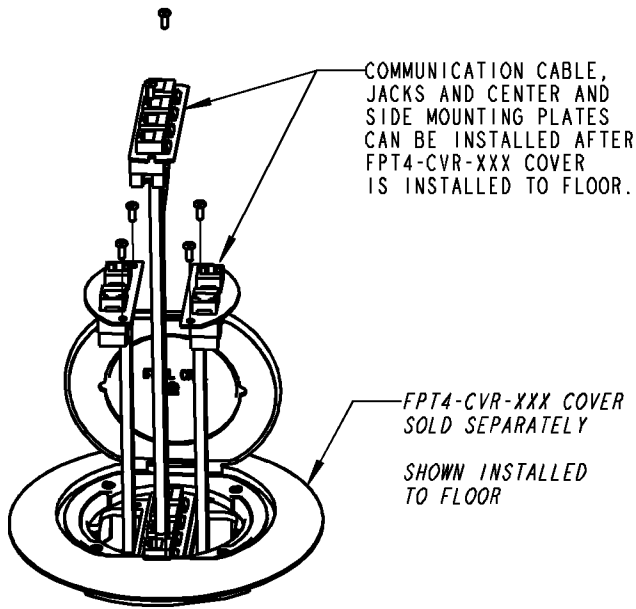
REV. NO:

-

DRAWING NO:

WSD-000237

COMMUNICATION INSTALLATION



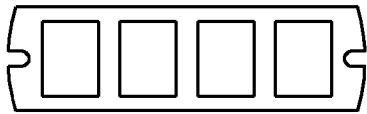
COPPER CROSS-SECTIONAL AREA OF COMMONLY USED CONDUCTORS

SIZE	SOLID
#24 AWG	.00032 SQUARE INCHES
#22 AWG	.00050 SQUARE INCHES
#14 AWG	.00323 SQUARE INCHES
#12 AWG	.00512 SQUARE INCHES
#10 AWG	.00815 SQUARE INCHES

NOTE: USE ABOVE VALUES FOR SOLID OR STRANDED CONDUCTORS.

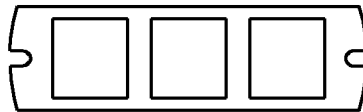
FPT4-CPA CENTER COMMUNICATION PLATES SOLD SEPARATELY:

FOR SPECIAL JACK SIZES OR OPENINGS CONTACT T&B TECHNICAL SERVICES DEPARTMENT.



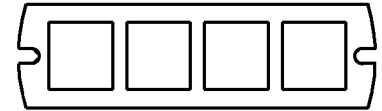
FPT4-CPA-4KEY

T&B KEYSTONE
HUBBLE
LEVITON-QUICKPORT
(1) SHIPPED WITH POKE
THROUGH BASE UNIT
CAT. NO. FPT4-8C



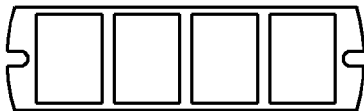
FPT4-CPA-3PAN

PANDUIT
REQUIRES #CMNZABL-X
ADAPTER FROM PANDUIT
TO MOUNT PANDUIT
MINI-CON JACKS.



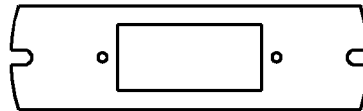
FPT4-CPA-4SYS

AVAYA MGS400
SYSTEMAX MGS500
AT&T



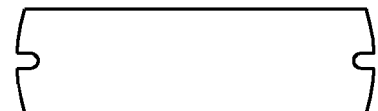
FPT4-CPA-4ORT

ORTRONICS
OR-TJ600



FPT4-CPA-1MAAP

ACCEPTS ONE
MAAP MINI ARCHITECTURAL
ADAPTER PLATE
EXTRON



FPT4-CPA-BLANK

Thomas & Betts
www.tnb.com

DESCRIPTION:

FPT4-8C POKE THROUGH BASE UNIT

SHEET NO:

2 OF 3

REV. NO:

-

DRAWING NO:

WSD-000237

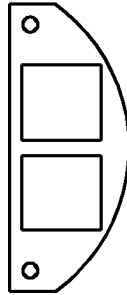
FPT4-CPB SIDE COMMUNICATION PLATES SOLD SEPARATELY:

FOR SPECIAL JACK SIZES OR OPENINGS CONTACT
T&B TECHNICAL SERVICES DEPARTMENT.



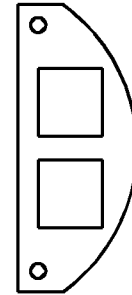
FPT4-CPB-2KEY

T&B KEYSTONE
HUBBLE
LEVITON-QUICKPORT
(2) SHIPPED WITH POKE
THROUGH BASE UNIT
CAT. NO. FPT4-8C



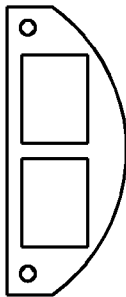
FPT4-CPB-2PAN

PANDUIT
REQUIRES #CMNZABL-X
ADAPTER FROM PANDUIT
TO MOUNT PANDUIT
MINI-CON JACKS.



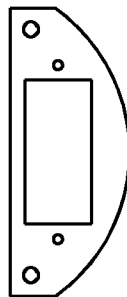
FPT4-CPB-2SYS

AVAYA
MGS400 SYSTIMAX
MGS500 AT & T



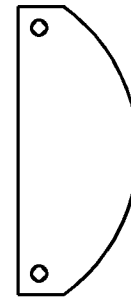
FPT4-CPB-2ORT

ORTRONICS
OR-TJ600



FPT4-CPB-1MAAP

ACCEPTS ONE
MAAP MINI ARCHITECTUAL
ADAPTER PLATE
EXTRON



FPT4-CPB-BLANK

Thomas & Betts
www.tnb.com

DESCRIPTION:

FPT4-8C POKE THROUGH BASE UNIT

SHEET NO:

3 OF 3

REV. NO:

-

DRAWING NO:

WSD-000237