

Technical Specifications (continued)

Construction

Finish:

Formulated for high durability and long-lasting color

Green Technology:

Mercury and UV free. RoHS-compliant components.

Other

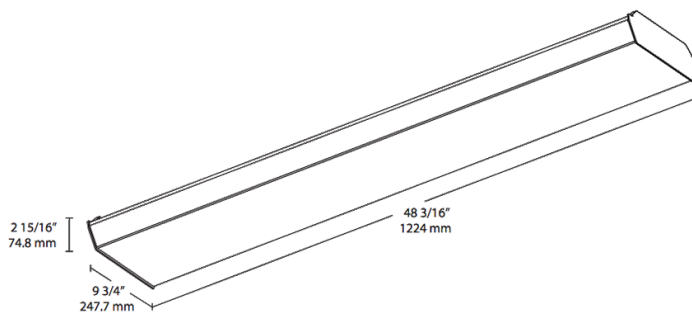
Trade Agreements Act Compliant:

This product is a product of Cambodia and a "designated country" end product that complies with the Trade Agreements Act

Buy American Act Compliance:

RAB values USA manufacturing! Upon request, RAB may be able to manufacture this product to be compliant with the Buy American Act (BAA). Please contact customer service to request a quote for the product to be made BAA compliant.

Dimensions



Features

- Energy-efficient, maintenance-free LED wrap fixture
- Multiple mounting options: surface, pendant or chain
- High-reflectance white finish for optimal output
- Diffusion wrap-around lens for smooth light distribution
- 0-10V dimming standard
- 100,000-Hour LED lifespan

Ordering Matrix

Family	Size	Wattage	Color Temp	Finish	Driver Options
GUS	4	36		W	/D10
	4 = 4 feet 2 = 2 feet	18 = 18W (2 ft) 25 = 25W (2 ft) 36 = 36W (4 ft) 50 = 50W (4 ft)	Blank = 5000K Cool N = 4000K Neutral YN = 3500K Warm Neutral Y = 3000K Warm	W = White	/D10 = 0-10V Dimming /D10/E2 = 0-10V Dimming w/ Battery Backup /D10/LC = 0-10V Dimming w/ Lightcloud® Controller /D10/LC/E2 = 0-10V Dimming w/ Lightcloud® Controller and Battery Backup