



Main

| | |
|---------------------------|--------------------------------------|
| Range of Product | Modicon STB distributed I/O solution |
| Product or Component Type | Standard power distribution kit |

Complementary

| | |
|-----------------------------|--|
| Kit composition | STBXTS2130, spring type connectors STBPDT3100 module STBXBA2200 base STBXTS1130, screw type connectors |
| [Us] rated supply voltage | 24 V |
| Supply circuit type | DC |
| Power supply output current | 10 A 113 °F (45 °C) input/output circuit) 12 A 86 °F (30 °C) input/output circuit) 6 A 158 °F (70 °C) input/output circuit) 8 A 140 °F (60 °C) input/output circuit) 0...4 A 86 °F (30 °C) input circuit) 0...8 A 86 °F (30 °C) output circuit) |
| Voltage range | 19.2...30 V DC sensor/actuator bus |
| Hot swapping fallback | Hot swapping illegal |
| Protection type | Built-in overcurrent protection, 10 A time-lag output circuit Built-in overcurrent protection, 5 A time-lag input circuit Reverse polarity actuator bus |
| Permissible current | 30 A for 2 minutes grounding terminal |
| Voltage detection threshold | < 15 V +/-1 DC IN/OUT LED lit >= 15 V +/-1 DC IN/OUT LED non lit |
| Product Compatibility | Mounting base STBXBA2200 |
| Marking | CE |
| Overvoltage category | II |
| Status LED | 1 LED (Green) actuator bus power supply (OUT) 1 LED (Green) sensor bus power supply (IN) |
| Depth | 2.56 in (65.1 mm) |
| Height | 4.92 in (125 mm) |
| Width | 0.72 in (18.4 mm) |
| Net Weight | 0.29 lb(US) (0.13 kg) |

Environment

| | |
|---------------------------------------|--|
| Product Certifications | UL FM Class 1 Division 2 CSA |
| Pollution degree | 2 IEC 60664-1 |
| Operating altitude | <= 6561.68 ft (2000 m) |
| IP degree of protection | IP20 conforming to EN 61131-2 class 1 |
| Ambient air temperature for operation | 32...140 °F (0...60 °C) without) -13...158 °F (-25...70 °C) with derating factor) |

| | |
|-------------------------------------|--|
| Ambient Air Temperature for Storage | -40...185 °F (-40...85 °C) |
| Relative humidity | 95 % 140 °F (60 °C) without condensation |
| Vibration resistance | +/-0.35 mm 10...58 Hz 3 gn 58...150 Hz 35 x 7.5 mm symmetrical DIN rail 5 gn 58...150 Hz 35 x 15 mm symmetrical DIN rail |
| Shock resistance | 30 gn 11 ms IEC 88 reference 2-27 |

Ordering and shipping details

| | |
|-----------------------|------------------------|
| Category | 18215-ADVANTYS STB I/O |
| Discount Schedule | PC32 |
| GTIN | 3595863949216 |
| Nbr. of units in pkg. | 1 |
| Package weight(Lbs) | 5.29 oz (150.0 g) |
| Returnability | Yes |
| Country of origin | ID |

Packing Units

| | |
|------------------------------|------------------------|
| Unit Type of Package 1 | PCE |
| Package 1 Height | 0.98 in (2.5 cm) |
| Package 1 width | 3.35 in (8.5 cm) |
| Package 1 Length | 5.51 in (14 cm) |
| Unit Type of Package 2 | S02 |
| Number of Units in Package 2 | 24 |
| Package 2 Weight | 8.88 lb(US) (4.026 kg) |
| Package 2 Height | 5.91 in (15 cm) |
| Package 2 width | 11.81 in (30 cm) |
| Package 2 Length | 15.75 in (40 cm) |

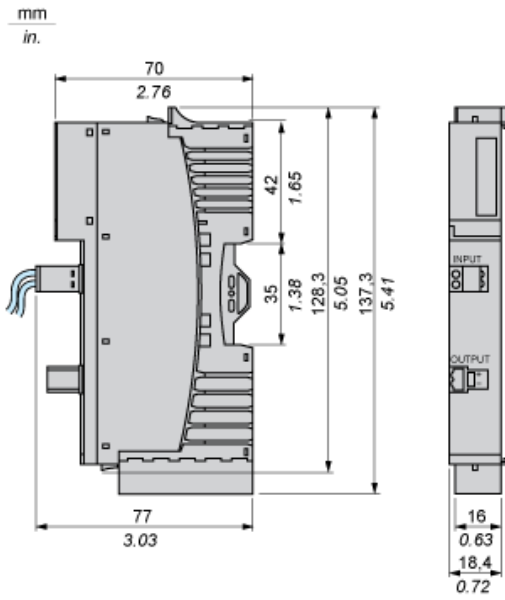
Offer Sustainability

| | |
|----------------------------|---|
| Sustainable offer status | Green Premium product |
| California proposition 65 | WARNING: This product can expose you to chemicals including: Lead and lead compounds, which is known to the State of California to cause cancer and birth defects or other reproductive harm. For more information go to www.P65Warnings.ca.gov |
| REACH Regulation | REACH Declaration |
| EU RoHS Directive | Pro-active compliance (Product out of EU RoHS legal scope) EU RoHS Declaration |
| Mercury free | Yes |
| RoHS exemption information | Yes |
| China RoHS Regulation | China RoHS Declaration |
| Environmental Disclosure | Product Environmental Profile |
| Circularity Profile | End Of Life Information |
| WEEE | The product must be disposed on European Union markets following specific waste collection and never end up in rubbish bins. |

Contractual warranty

| | |
|----------|-----------|
| Warranty | 18 months |
|----------|-----------|

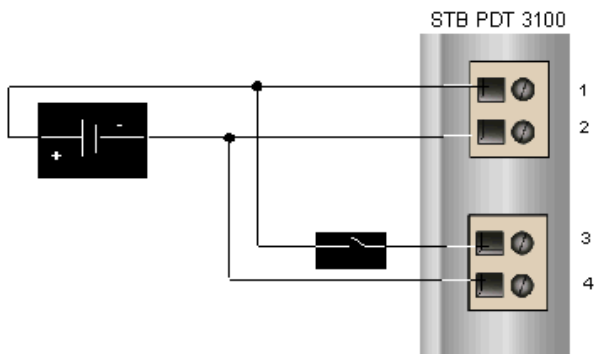
Dimensions



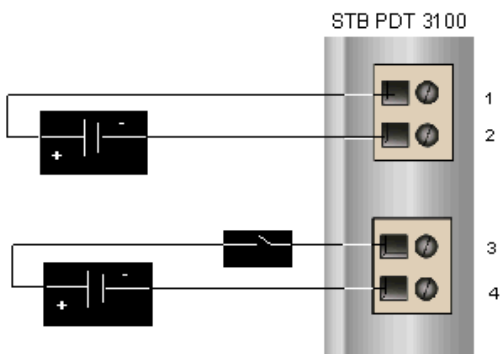
Wiring Diagrams

Examples

Single power supply



Separated power supplies



| Pin | Top Connector | Bottom Connector |
|-----|-----------------------------|-------------------------------|
| 1 | +24 VDC for the sensor bus | +24 VDC for the sensor bus |
| 2 | -24 VDC sensor power return | -24 VDC actuator power return |

Performance Curve

