

NOTE: Components shown in images are representative only and may vary based on the configuration ordered.

CAUTION

Read instructions carefully and turn electricity off at main circuit breaker panel before beginning installation.

WARNING

If any special control devices are used with this luminaire, follow the instructions carefully to assure full compliance with NEC requirements. If there are any questions, contact a qualified electrical contractor.

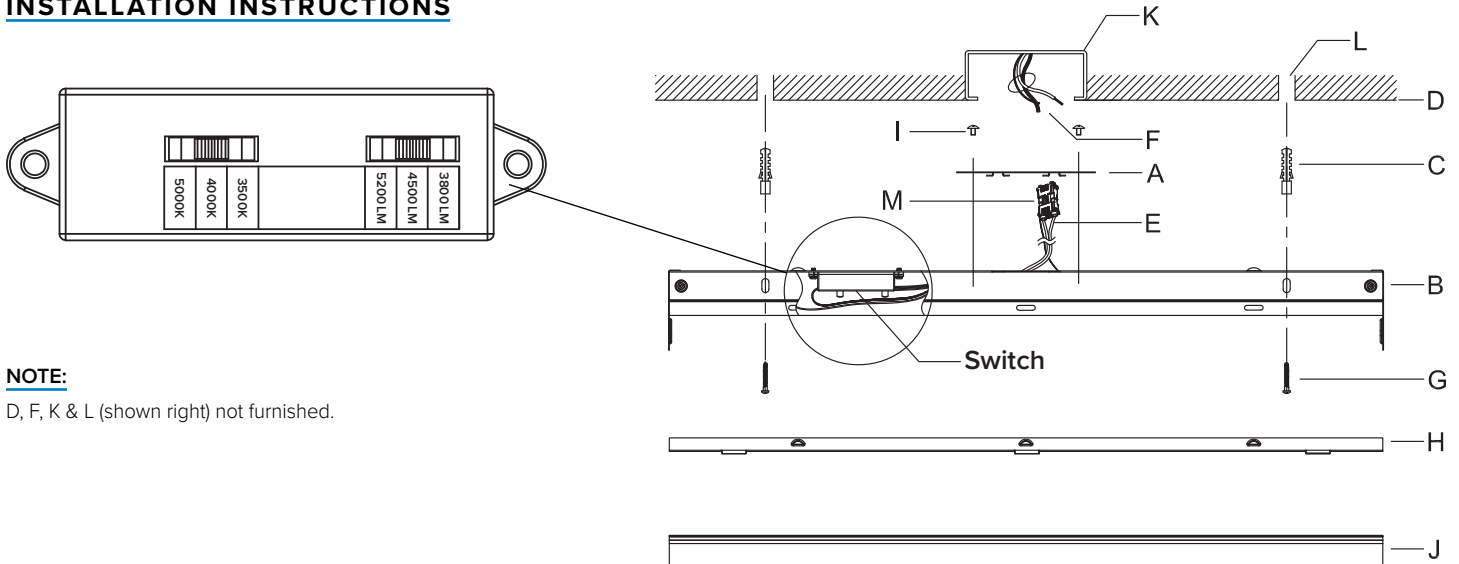
WARNING

This product contains chemicals known to the State of California to cause cancer, birth defects and/or other reproductive harm. Thoroughly wash hands after installing, handling, cleaning, or otherwise touching this product.

CAUTION

All glass is fragile. Use care when handling glass component(s) and or lamp(s).

INSTALLATION INSTRUCTIONS



NOTE:

D, F, K & L (shown right) not furnished.

ASSEMBLY STEPS:

1. A, I → B
2. L → D → Drill (2) 1/4" (6.4mm) diameter holes for mounting wood screws. Wood screws (G) and anchor (C) must be used for securing back plate (B) to ceiling (D).
3. C → D
4. E, M → F
5. G, B → C, D
6. H → B (snap into place)
7. J → H

