



Color: Bronze

Weight: 10.0 lbs

Project:

Type:

Prepared By:

Date:

### Driver Info

Type	Constant Current
120V	1.17A
208V	0.75A
240V	0.65A
277V	0.54A
Input Watts	70-140.3W

### LED Info

Watts	140W
Color Temp	3000K/4000K/5000K
Color Accuracy	83-85 CRI
L70 Lifespan	100,000 Hours
Lumens	8947-19158
Efficacy	127.8-141.5 lm/W

## Technical Specifications

### Field Adjustability

#### 3-Way Field Adjustable:

Field Adjustable Light Output:  
70W/100W/140W (factory default 140W)  
Color temperature (selectable by 3000K, 4000K and 5000K)

### Compliance

#### UL Listed:

Suitable for wet locations

#### IESNA LM-79 & LM-80 Testing:

RAB LED luminaires and LED components have been tested by an independent laboratory in accordance with IESNA LM-79 and LM-80.

#### DLC Listed:

This product is listed by Design Lights Consortium (DLC) as an ultra-efficient premium product that qualifies for the highest tier of rebates from DLC Member Utilities. Designed to meet DLC 5.1 requirements.  
DLC Product Code: P596G73J

### Electrical

#### Driver:

Constant Current, Class 2, 120-277V, 50/60Hz, 120V:  
1.17A, 208V: 0.75A, 240V: 0.65A, 277V: 0.54A

### Dimming Driver:

Driver includes wiring for 0-10V dimming systems.  
Dim as low as 10%.

#### THD:

3.85% at 120V, 9.13% at 277V

#### Power Factor:

99.9% at 120V, 93.2% at 277V

#### Photocell:

120-277V selectable photocell that can be turned on and off.

#### Note:

All values are typical (tolerance +/- 10%)

### LED Characteristics

#### LEDs:

Long-life, high-efficacy, surface-mount LEDs

#### Color Uniformity:

RAB's range of Correlated Color Temperature follows the guidelines of the American National Standard for Specifications for the Chromaticity of Solid State Lighting (SSL) Products, ANSI C78.377-2017.

### Construction

#### IP Rating:

Ingress protection rating of IP65 for dust and water

#### Cold Weather Starting:

The minimum starting temperature is -40°C (-40°F)

## Technical Specifications (continued)

### Construction

#### Maximum Ambient Temperature:

Suitable for use in up to 40°C (104°F)

#### Housing:

Precision die-cast aluminum

#### Mounting:

Trunnion mount with stainless steel hardware

#### Lens:

Tempered glass

#### Reflector:

Polycarbonate

#### Tilt Increment:

Rotates in 30 degree increments

#### Effective Projected Area:

EPA = 1.35

#### Finish:

Formulated for high durability and long-lasting color

#### Green Technology:

Mercury and UV free. RoHS-compliant components.

### Optical

#### NEMA Type:

NEMA Beam Spread of 7H x 7V

### Other

#### Shorting Cap:

Shorting Cap for Twistlock Receptacle

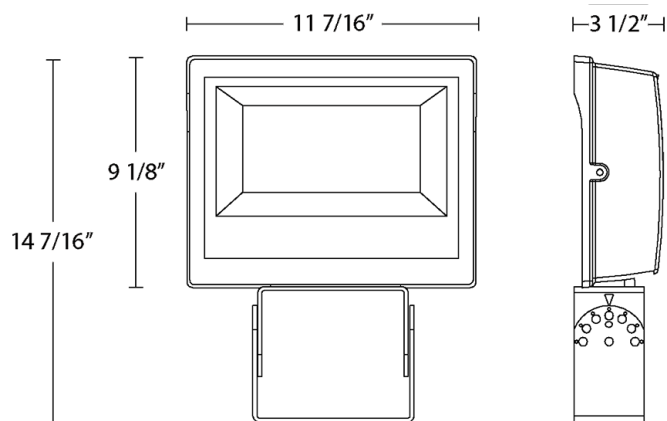
#### 5 Yr Limited Warranty:

The RAB 5-year, limited warranty covers light output, driver performance and paint finish. RAB's warranty is subject to all terms and conditions found at [rablighting.com/warranty](http://rablighting.com/warranty).

#### Buy American Act Compliance:

RAB values USA manufacturing! Upon request, RAB may be able to manufacture this product to be compliant with the Buy American Act (BAA). Please contact customer service to request a quote for the product to be made BAA compliant.

## Dimensions



## Features

- 3-Way field adjustability
- 0-10V Dimming, standard
- 100,000-hour LED lifespan
- Selectable photocell (on/off) included
- 5-Year, Limited Warranty

## Ordering Matrix

Family	Field Adjustability	Wattage	Color Temp	Mounting	Finish	Voltage	Options
X17	XFU	140		T			
	XFU = 3-Way Field Adjustable	35 = 35/25/15W 60 = 60/50/30W 80 = 80/60/40W 15 = 15W 35 = 35W 60 = 60W 80 = 80W 105 = 105W 140 = 140W 105 = 105/75/50W 140 = 140/100/70W 205 = 205/150/100W 330 = 330/250/170W	Blank = 3000/4000/5000K Selectable	Blank = Knuckle SF = Slipfitter T = Trunnion	Blank = Bronze W = White	Blank = 120-277V /480 = 480V	Blank = Selectable photocell