



Color: Bronze

Weight: 7.2 lbs

<b>Project:</b>	<b>Type:</b>
<b>Prepared By:</b>	<b>Date:</b>

Driver Info		LED Info	
Type	Constant Current	Watts	26W
120V	0.22A	Color Temp	5000K (Cool)
208V	0.13A	Color Accuracy	70 CRI
240V	0.11A	L70 Lifespan	100,000 Hours
277V	0.10A	Lumens	3,851 lm
Input Watts	28.7W	Efficacy	134.2 lm/W

**Technical Specifications**

**Electrical**

**Driver:**

Constant Current, Class 2, 120-277V, 50/60Hz, 120V: 0.22A, 208V: 0.13A, 240V: 0.11A, 277V 0.10A

**Dimming Driver:**

Driver includes dimming control wiring for 0-10V dimming systems. Requires separate 0-10V DC dimming circuit. Dims down to 10%.

**THD:**

10.68% at 120V, 10.68% at 277V

**Power Factor:**

95.4% at 120V, 95.4% at 277V

**Battery Backup:**

Minimum starting temperature is 0°C/32°F

**Photocell:**

120V Swivel photocell included. Photocell is only compatible with 120V.

**Battery Backup Light Loss Factor:**

0.39

**Battery Mode:**

Light output use LLD of .76 to simulate light output during battery mode operation.

**Compliance**

**UL Listed:**

Suitable for Wet Locations as downlight. Wall Mount Only. Battery Backup UL 924 Listed Emergency Lighting Power Supply.

**DLC Listed:**

This product is listed by Design Lights Consortium (DLC) as an ultra-efficient premium product that qualifies for the highest tier of rebates from DLC Member Utilities. Designed to meet DLC 5.1 requirements.

DLC Product Code: P0000170I

**Performance**

**Lifespan:**

100,000-Hour LED lifespan based on IES LM-80 results and TM-21 calculations

**Wattage Equivalency:**

Equivalent to 150W Metal Halide

**LED Characteristics**

**LED:**

Two (2) 13W high-output, long-life LEDs

**Color Consistency:**

7-step MacAdam Ellipse binning to achieve consistent fixture-to-fixture color

## Technical Specifications (continued)

### LED Characteristics

#### Color Stability:

LED color temperature is warranted to shift no more than 200K in color temperature over a 5-year period

#### Color Uniformity:

RAB's range of Correlated Color Temperature follows the guidelines of the American National Standard for Specifications for the Chromaticity of Solid State Lighting (SSL) Products, ANSI C78.377-2017.

### Construction

#### Ambient Temperature:

Suitable for use in up to 35°C (95°F)

#### Thermal Management:

Optimized using computational fluid dynamics software to ensure long LED and driver lifespan

#### Gaskets:

High-temperature silicone

#### Housing:

Precision die-cast aluminum housing, lens frame and mounting arm

#### Finish:

Formulated for high durability and long-lasting color

#### Green Technology:

Mercury and UV free. RoHS-compliant components.

### Other

#### Patents:

The WPLED26 design is protected by U.S. Patent D634878 and Patents pending in the U.S., Canada, China, Taiwan and Mexico.

#### Buy American Act Compliance:

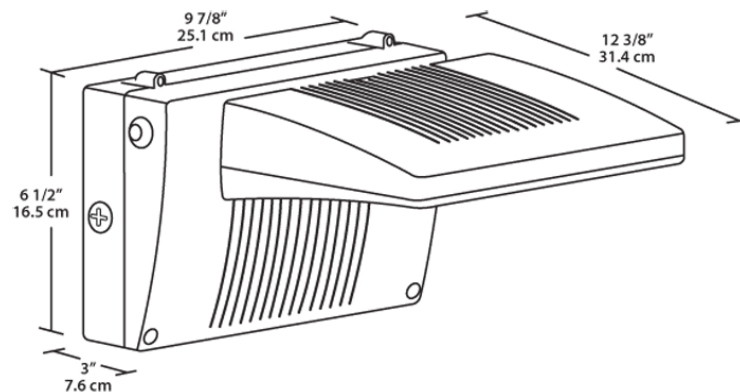
RAB values USA manufacturing! Upon request, RAB may be able to manufacture this product to be compliant with the Buy American Act (BAA). Please contact customer service to request a quote for the product to be made BAA compliant.

### Optical

#### BUG Rating:

B1 U0 G0

### Dimensions



### Features

- Maintains 70% of initial lumens at 100,000-hours
- Weatherproof high temperature silicone gaskets
- Superior heat sinking with die cast aluminum housing and external fins
- 100 up to 277 Volts
- 5-Year, No-Compromise Warranty