



Project:	Type:
Prepared By:	Date:

Driver Info		LED Info	
Type	Constant Current	Watts	13W
120V	0.12A	Color Temp	5100K (Cool)
208V	0.07A	Color Accuracy	71 CRI
240V	0.06A	L70 Lifespan	100,000 Hours
277V	0.06A	Lumens	1,640 lm
Input Watts	13.5W	Efficacy	121.5 lm/W

Technical Specifications

Compliance

UL Listed:

Suitable for wet locations. Suitable for ground mounting.

IESNA LM-79 & LM-80 Testing:

RAB LED luminaires and LED components have been tested by an independent laboratory in accordance with IESNA LM-79 and LM-80

DLC Listed:

This product is on the Design Lights Consortium (DLC) Qualified Products List and is eligible for rebates from DLC Member Utilities. Designed to meet DLC 5.1 requirements.

DLC Product Code: PSEHVPID

Performance

Lifespan:

100,000-Hour LED lifespan based on IES LM-80 results and TM-21 calculations

Optical

Spotlight Distribution:

Beam Angle of 11° and Field Angle of 24° enables the HSLED to produce a very narrow spot distribution

NEMA Type:

NEMA Beam Spread of 4H x 4V

LED Characteristics

LEDs:

13 Watt high output, long-life LED

Lumen Maintenance:

100,000 hours Life Based on LM-80 Tests

Color Consistency:

7-step MacAdam Ellipse binning to achieve consistent fixture-to-fixture color

Color Stability:

LED color temperature is warranted to shift no more than 200K in color temperature over a 5-year period

Color Uniformity:

RAB's range of Correlated Color Temperature follows the guidelines of the American National Standard for (SSL) Products, ANSI C78.377-2017.

Electrical

Driver:

Constant Current, 120-277V with 4kV surge protection, 120V: 0.12A, 208V: 0.07A, 240V: 0.06A, 277V: 0.06A

THD:

10.11% at 120V, 10.95% at 277V

Power Factor:

99% at 120V, 91.7% at 277V

Technical Specifications (continued)

Electrical

Surge Protection:

4kV

Construction

Ambient Temperature:

Suitable for use in up to 40°C (104°F)

Cold Weather Starting:

The minimum starting temperature is -40°C (-40°F)

Thermal Management:

Cast aluminum Thermal Management system for optimal heat sinking. The HSLED is designed for cool operation, most efficient output and maximum LED life by minimizing LED junction temperature.

Housing:

Precision die-cast aluminum housing, hood and mounting arm

Gaskets:

High-temperature Silicone

Finish:

Formulated for high durability and long-lasting color

Green Technology:

Mercury and UV free. RoHS-compliant components.

Other

Warranty:

RAB warrants that our LED products will be free from defects in materials and workmanship for a period of five (5) years from the date of delivery to the end user, including coverage of light output, color stability, driver performance and fixture finish. RAB's warranty is subject to all terms and conditions found at rablighting.com/warranty.

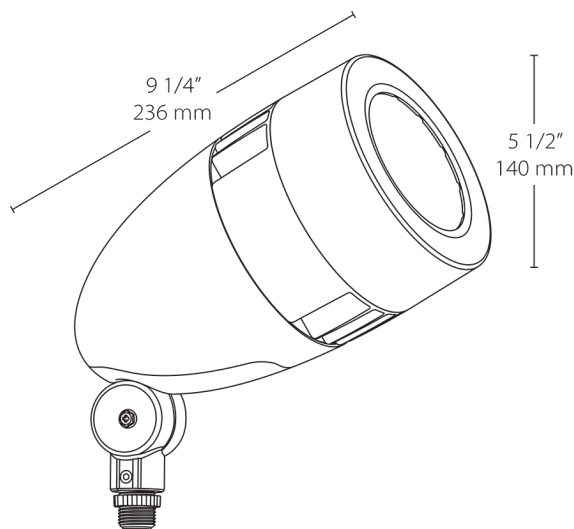
Patents:

The design of the HSLED is protected by Taiwan Patent 01510965 and patents pending in US, Canada, China, and Mexico

Buy American Act Compliance:

RAB values USA manufacturing! Upon request, RAB may be able to manufacture this product to be compliant with the Buy American Act (BAA). Please contact customer service to request a quote for the product to be made BAA compliant.

Dimensions



Features

Spot lighting for over 40 feet away

Perfect for flag lighting

NEMA type - 4H x 4V

Available in four colors

100,000-hour life based on LM-80 results and TM-21 calculations

5-Year, No-Compromise Warranty

Ordering Matrix

Family	Wattage	Color Temp	Finish	Driver Options	Other Options
HSLED	13		W		
	26 = 26W 13 = 13W 18 = 18W	Blank = 5000K Cool N = 4000K Neutral Y = 3000K Warm	Blank = Bronze W = White B = Black VG = Verde Green A = Bronze	Blank = No Option /D10 = 0-10V Dimming /480 = 480V (Only available for 26W)	Blank = Standard USA = BAA Compliant