



Color: Verde green

Weight: 3.5 lbs

<b>Project:</b>	<b>Type:</b>
<b>Prepared By:</b>	<b>Date:</b>

Driver Info		LED Info	
Type	Constant Current	Watts	13W
120V	0.12A	Color Temp	4000K (Neutral)
208V	0.07A	Color Accuracy	73 CRI
240V	0.06A	L70 Lifespan	100,000 Hours
277V	0.06A	Lumens	1,987 lm
Input Watts	13.6W	Efficacy	146.1 lm/W

## Technical Specifications

### Compliance

#### UL Listed:

Suitable for wet locations. Suitable for ground mounting.

#### IESNA LM-79 & LM-80 Testing:

RAB LED luminaires and LED components have been tested by an independent laboratory in accordance with IESNA LM-79 and LM-80

#### DLC Listed:

This product is listed by Design Lights Consortium (DLC) as an ultra-efficient premium product that qualifies for the highest tier of rebates from DLC Member Utilities. Designed to meet DLC 5.1 requirements.

DLC Product Code: PYWG2NYF

### Performance

#### Lifespan:

100,000-Hour LED lifespan based on IES LM-80 results and TM-21 calculations

#### Wattage Equivalency:

250W BR40

### Construction

#### Swivels:

Fully adjustable with sure-grip locks. 1/2" NPS threaded arm with serrated locking swivel fits all standard mounting covers. Color matched EZ Grip lock nuts. Stainless steel screw.

#### Housing:

Precision die-cast aluminum housing

#### Gaskets:

High-temperature Silicone

#### Finish:

Formulated for high durability and long-lasting color

#### Green Technology:

Mercury and UV free. RoHS-compliant components.

### Cold Weather Starting:

The minimum starting temperature is -40°C (-40°F)

### Maximum Ambient Temperature:

Suitable for use in up to 40°C (104°F)

### Optical

#### NEMA Type:

NEMA Beam Spread of 5H x 5V

### Other

#### Warranty:

RAB warrants that our LED products will be free from defects in materials and workmanship for a period of five (5) years from the date of delivery to the end user, including coverage of light output, color stability, driver performance and fixture finish. RAB's warranty is subject to all terms and conditions found at [rablighting.com/warranty](http://rablighting.com/warranty).

## Technical Specifications (continued)

### Other

#### Patents:

LFLOOD thermal Management technology is protected under utility patents pending in the U.S., Canada and China.

#### Buy American Act Compliance:

RAB values USA manufacturing! Upon request, RAB may be able to manufacture this product to be compliant with the Buy American Act (BAA). Please contact customer service to request a quote for the product to be made BAA compliant.

### LED Characteristics

#### Lumen Maintenance:

The LED will deliver 70% of its initial lumens at 100,000 hours of operation

#### Color Consistency:

3-step MacAdam Ellipse binning to achieve consistent fixture-to-fixture color

#### Color Stability:

LED color temperature is warranted to shift no more than 200K in color temperature over a 5-year period

#### Color Uniformity:

RAB's range of Correlated Color Temperature follows the guidelines of the American National Standard for Specifications for the Chromaticity of Solid State Lighting (SSL) Products, ANSI C78.377-2017.

### Electrical

#### Driver:

Constant Current, 120-277V with 4kV surge protection, 120V: 0.12A, 208V: 0.07A, 240V: 0.06A, 277V: 0.06A

#### THD:

10.08% at 120V, 10.94% at 277V

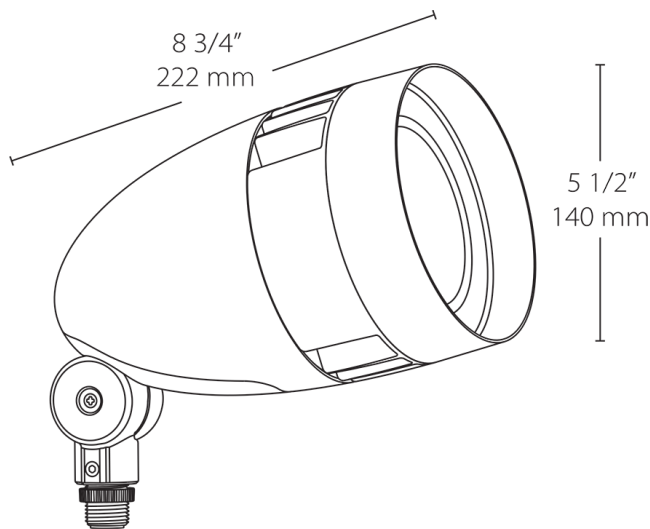
#### Power Factor:

99% at 120V, 91.7% at 277V

#### Surge Protection:

4kV

## Dimensions



## Features

- 80% energy savings vs. PAR floods
- Mount on junction box or on RAB Mighty Post
- Patent-pending "Air-Flow" technology
- NEMA type - 5H x 5V
- 5-Year, No-Compromise Warranty

## Ordering Matrix

Family	Wattage	Color Temp	Finish	Driver Options
HBLED	13	N	VG	
	18 = 18W 26 = 26W	Blank = 5000K Cool N = 4000K Neutral Y = 3000K Warm	A = Bronze W = White B = Black VG = Verde Green	Blank = No Option /D10 = 0-10V Dimming /480 = 480V - Only available for 26W