



52 Watts of energy efficient LED garage lighting replaces 175 Watt Metal Halide. 100,000 hour LED lifespan. 5-year, no-compromise warranty. High-performance output maximizes spacing criterion.

Color: Bronze

Weight: 17.4 lbs

<b>Project:</b>	<b>Type:</b>
<b>Prepared By:</b>	<b>Date:</b>

Driver Info		LED Info	
Type	Constant Current	Watts	52W
120V	0.45A	Color Temp	3000K (Warm)
208V	0.29A	Color Accuracy	72 CRI
240V	0.25A	L70 Lifespan	100,000 Hours
277V	0.20A	Lumens	5,883 lm
Input Watts	53.7W	Efficacy	109.6 lm/W

**Technical Specifications**

**Compliance**

**UL Listed:**

Suitable for Wet Locations. Covered Ceiling Mount Only.

**IESNA LM-79 & LM-80 Testing:**

RAB LED luminaires and LED components have been tested by an independent laboratory in accordance with IESNA LM-79 and LM-80.

**DLC Listed:**

This product is on the Design Lights Consortium (DLC) Qualified Products List and is eligible for rebates from DLC Member Utilities. Designed to meet DLC 5.1 requirements.

DLC Product Code: P3GH6DF7

**Performance**

**Lifespan:**

100,000-Hour LED lifespan based on IES LM-80 results and TM-21 calculations

**Wattage Equivalency:**

Equivalent to 175W Metal Halide

**Electrical**

**Driver:**

Driver: Constant Current, Class 2, 120V-277V, 50/60 Hz, 6kv Surge Protection, 120V: 0.45A, 208V: 0.29A, 240V: 0.25A, 277V: 0.20A

**Dimming Driver:**

Driver includes dimming control wiring for 0-10V dimming systems. Requires separate 0-10V DC dimming circuit. Dims down to 10%.

**THD:**

3.2% at 120V, 6.08% at 277V

**Power Factor:**

99.9% at 120V, 96.5% at 277V

**LED Characteristics**

**LEDs:**

4x13W high-output, long-life LEDs

**Color Consistency:**

3-step MacAdam Ellipse binning to achieve consistent fixture-to-fixture color

**Color Stability:**

LED color temperature is warrantied to shift no more than 200K in color temperature over a 5-year period

**Color Uniformity:**

RAB's range of Correlated Color Temperature follows the guidelines of the American National Standard for Specifications for the Chromaticity of Solid State Lighting (SSL) Products, ANSI C78.377-2017.

**Construction**

**Cold Weather Starting:**

The minimum starting temperature is -40°C (-40°F)

**Technical Specifications (continued)**

**Construction**

**Maximum Ambient Temperature:**

Suitable for use in up to 40°C (104°F)

**Housing:**

Precision die-cast aluminum housing and door frame

**Mounting:**

Easy hanging plate with hooks for ceiling mount

**Lens:**

Prismatic polycarbonate lens

**Reflector:**

Specular vacuum-metallized polycarbonate with ultra-white, 97% reflective optics

**Gaskets:**

High-temperature silicone

**Finish:**

Formulated for high durability and long-lasting color

**Green Technology:**

Mercury and UV free. RoHS-compliant components.

**Other**

**Patents:**

The design of GLED52 is protected by patents pending in US, Canada, China, Taiwan and Mexico

**Warranty:**

RAB warrants that our LED products will be free from defects in materials and workmanship for a period of five (5) years from the date of delivery to the end user, including coverage of light output, color stability, driver performance and fixture finish. RAB's warranty is subject to all terms and conditions found at [rablighting.com/warranty](http://rablighting.com/warranty).

**Buy American Act Compliance:**

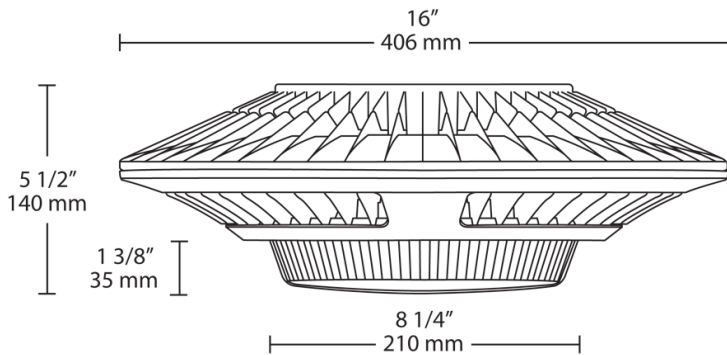
RAB values USA manufacturing! Upon request, RAB may be able to manufacture this product to be compliant with the Buy American Act (BAA). Please contact customer service to request a quote for the product to be made BAA compliant.

**Optical**

**BUG Rating:**

B2 U3 G1

**Dimensions**



**Features**

- Low-profile design Ideal for Parking Garages
- 52W Replaces 175W MH Luminaires
- 100,000-hour LED lifespan based on IES LM-80 results and TM-21 calculations
- Up to 25% Reduction in Fixture Count
- Lock screw provided for pendant mount

## Ordering Matrix

Family	Wattage	Color Temp	Back Box	Finish	Driver
GLED	52	Y			
26 = 26W	Blank = 5000K Cool	Blank = No Backbox	Blank = Bronze	Blank = No Option	
52 = 52W	N = 4000K Neutral	BB = Back Box	W = White	/D10 = 0-10V Dimming	
78 = 78W	Y = 3000K Warm			/480 = 480V	
				/480/D10 = 480V w/ 0-10V Dimming	
				/BL = Bi-Level	