



This 78W spotlight combines high lumen output and a concentrated narrow beam distribution to illuminate objects up to 80 feet away with brilliant precision. Ideal for lighting large flags, tall building façades and signage.

Color: Bronze

Weight: 25.5 lbs

|                     |              |
|---------------------|--------------|
| <b>Project:</b>     | <b>Type:</b> |
| <b>Prepared By:</b> | <b>Date:</b> |

| Driver Info |                  | LED Info       |               |
|-------------|------------------|----------------|---------------|
| Type        | Constant Current | Watts          | 78W           |
| 120V        | 0.82A            | Color Temp     | 5000K (Cool)  |
| 208V        | 0.53A            | Color Accuracy | 68 CRI        |
| 240V        | 0.46A            | L70 Lifespan   | 100,000 Hours |
| 277V        | 0.40A            | Lumens         | 8,859         |
| Input Watts | 89.3W            | Efficacy       | 99.2 lm/W     |

**Technical Specifications**

**Compliance**

**UL Listed:**

Suitable for wet locations. Suitable for ground mounting.

**IESNA LM-79 & LM-80 Testing:**

RAB LED luminaires and LED components have been tested by an independent laboratory in accordance with IESNA LM-79 and LM-80.

**Construction**

**Effective Projected Area:**

EPA = 1.2

**Cold Weather Starting:**

Minimum starting temperature is -40°C (-40°F)

**Maximum Ambient Temperature:**

Suitable for use in up to 40°C (104°F)

**Thermal Management:**

Superior thermal management with external "Air-Flow" fins

**Housing:**

Precision die-cast aluminum housing and door frame

**Mounting:**

2 3/8" slipfitter mount with stainless steel hardware

**Lens:**

Tempered glass

**Reflector:**

Vacuum-metalized, specular thermoplastic

**Gaskets:**

High-temperature silicone

**Finish:**

Formulated for high durability and long-lasting color

**Green Technology:**

Mercury and UV free. RoHS-compliant components.

**Tilt Increment:**

Rotates in 6 degree increments

## Technical Specifications (continued)

### Electrical

#### Driver:

3x26W drivers Constant current, Class2, 100-277V.  
50/60 Hz, 6KV Surge Protection, 720mA, 100-277V  
0.4A, Power Factor 99%.

#### THD:

16.8% at 277V

#### Note:

All values are typical (tolerance +/- 10%)

### LED Characteristics

#### LEDs:

Three multi-chip, high-output, long-life LEDs

#### Color Consistency:

7-step MacAdam Ellipse binning to achieve  
consistent fixture-to-fixture color

#### Color Stability:

LED color temperature is warranted to shift no more  
than 200K in color temperature over a 5-year period

#### Color Uniformity:

RAB's range of Correlated Color Temperature follows  
the guidelines of the American National Standard for  
Specifications for the Chromaticity of Solid State  
Lighting (SSL) Products, ANSI C78.377-2017.

### Performance

#### Lifespan:

100,000-Hour LED lifespan based on IES LM-80  
results and TM-21 calculations

### Optical

#### NEMA Type:

NEMA Beam Spread of 3H x 3V

### Other

#### Warranty:

RAB warrants that our LED products will be free from  
defects in materials and workmanship for a period of  
five (5) years from the date of delivery to the end  
user, including coverage of light output, color  
stability, driver performance and fixture finish. RAB's  
warranty is subject to all terms and conditions found  
at [rablighting.com/warranty](http://rablighting.com/warranty).

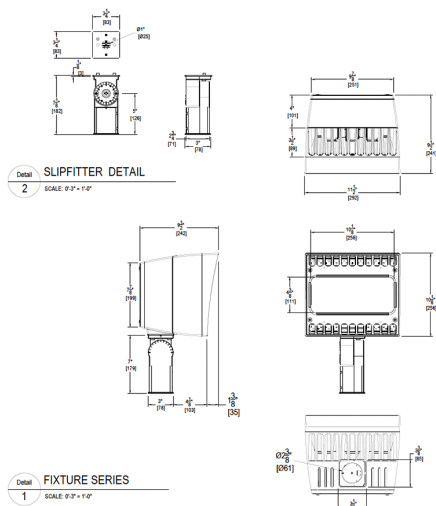
#### Patents:

The design of EZLED is protected by patents in U.S.  
Pat D679,856, and pending patents in Canada,  
China, Taiwan and Mexico.

#### Buy American Act Compliance:

RAB values USA manufacturing! Upon request, RAB  
may be able to manufacture this product to be  
compliant with the Buy American Act (BAA). Please  
contact customer service to request a quote for the  
product to be made BAA compliant.

## Dimensions



## Features

- High powered narrow beam spotlight
- Illuminates objects at a distance of 80 feet
- Available in NEMA type 3H x 3V and 4H x 4V
- Trunnion or slipfitter mounting options available
- Outperforms equivalent MH fixtures

Ordering Matrix

| Family | Wattage  | Mounting                        | Color Temp  | Distribution                               | Finish                      | Voltage          | Dimming   | Control Options  |
|--------|----------|---------------------------------|---|--|-----------------------------|------------------|---|--|
| EZLED  | 78       | SF                              |   |  |                             |                  |   |  |
|        | 78 = 78W | SF = Slipfitter<br>T = Trunnion | Blank = 5000K Cool<br>N = 4000K Neutral<br>Y = 3000K Warm | Blank = NEMA 3H x 3V<br>B44 = NEMA 4H x 4V | Blank = Bronze<br>W = White | Blank = 120-277V | Blank = None (Standard)<br>/D10 = 0-10V Dimming<br>/BL = Bi-Level | Blank = No Option<br>/PC = 120V Button Photocell<br>/PC2 = 277V Button Photocell<br>/PCS = 120V Swivel Photocell<br>/PCS2 = 277V Swivel Photocell<br>/PCT = 120-277V Twistlock Photocell |