



78W BAYLED high bay replaces 250W MH high bays, reducing energy consumption by 67%. Suitable for large spaces, including warehouses, factories, and distribution centers.

Color: White

Weight: 26.9 lbs

Project:

Type:

Prepared By:

Date:

Driver Info

Type	Constant Current
120V	0.82A
208V	0.52A
240V	0.45A
277V	0.4A
Input Watts	90.3W

LED Info

Watts	78W
Color Temp	5100K (Cool)
Color Accuracy	72 CRI
L70 Lifespan	100,000 Hours
Lumens	11,311
Efficacy	125.3 lm/W

Technical Specifications

Compliance

UL Listed:

Suitable for damp locations with cord and hook.
Suitable for wet locations with 3/4" pendant stem.
Covered ceiling mount only.

IESNA LM-79 & LM-80 Testing:

RAB LED luminaires and LED components have been tested by an independent laboratory in accordance with IESNA LM-79 and LM-80.

DLC Listed:

This product is on the Design Lights Consortium (DLC) Qualified Products List and is eligible for rebates from DLC Member Utilities. Designed to meet DLC 5.1 requirements.

DLC Product Code: PM82B8EN

LED Characteristics

LEDs:

Three multi-chip, 26W high-output, long-life LEDs

Color Consistency:

7-step MacAdam Ellipse binning to achieve consistent fixture-to-fixture color

Color Stability:

LED color temperature is warrantied to shift no more than 200K in color temperature over a 5-year period

Color Uniformity:

RAB's range of Correlated Color Temperature follows the guidelines of the American National Standard for Specifications for the Chromaticity of Solid State Lighting (SSL) Products, ANSI C78.377.2011.

Performance

Lifespan:

100,000-Hour LED lifespan based on IES LM-80 results and TM-21 calculations

Construction

Ambient Temperature:

Suitable for use in up to 55°C (131°F)

Thermal Management:

Superior thermal management with external air-flow fins

Housing:

Precision die-cast aluminum housing and door frame with 3-foot 600V power cord

Mounting:

Heavy-duty 3/4" NPS hook and 3 foot safety chain

Recommended Mounting Height:

25 ft

Lens:

Tempered glass

Technical Specifications (continued)

Construction

Reflector:

Specular vacuum metallized polycarbonate

Gaskets:

High-temperature silicone

Finish:

Formulated for high durability and long-lasting color

Green Technology:

Mercury and UV free. RoHS-compliant components.

Other

Patents:

The design of the BAYLED™ is protected by patents pending in US, Canada, China, Taiwan and Mexico

Accessories:

Available accessories include protective polyshield and wire guards, replacement lens and doorframe, and an occupancy sensor. [Click here to see all accessories.](#)

Equivalency:

Equivalent to 4 lamp T8 fixtures

Warranty:

RAB warrants that our LED products will be free from defects in materials and workmanship for a period of five (5) years from the date of delivery to the end user, including coverage of light output, color stability, driver performance and fixture finish. RAB's warranty is subject to all terms and conditions found at rablighting.com/warranty.

Buy American Act Compliance:

RAB values USA manufacturing! Upon request, RAB may be able to manufacture this product to be compliant with the Buy American Act (BAA). Please contact customer service to request a quote for the product to be made BAA compliant.

Electrical

THD:

11.83% at 120V, 9.66% at 277V

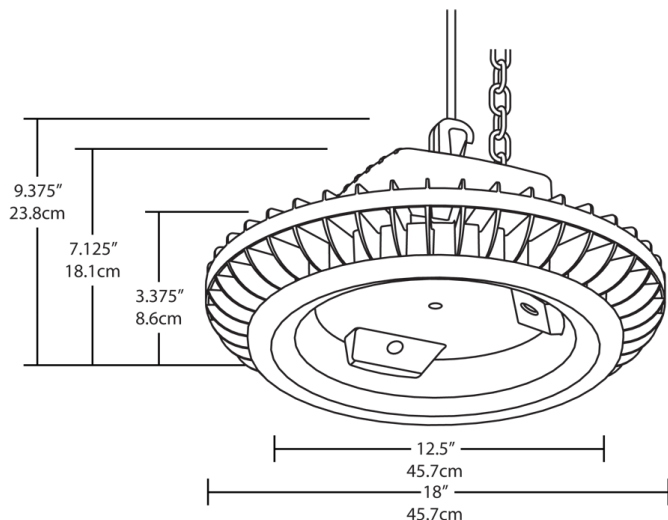
Power Factor:

99.1% at 120V, 93.5% at 277V

Drivers (3):

Constant Current, 720mA, Class 2 with 6kV surge protection, 100-277VAC, 50/60 Hz

Dimensions



Features

- Replaces 250W MH high bays
- Reduces energy consumption by 67%
- 100,000-hour LED lifespan
- 5-Year, No-Compromise Warranty

Ordering Matrix

Family	Wattage	Color Temp	Finish	Options	Other Options
BAYLED	78		W		
	78 = 78W 104 = 104W	Blank = 5100K Cool N = 4000K Neutral Y = 3000K Warm	W = White	Blank = No Option /BL = Bi-Level /D10 = 0-10V Dimming /LC = Lightcloud® Controller /D10/LC = 0-10V Dimming w/ Lightcloud® Controller	USA = BAA Compliant Blank = Standard