

ZB5RTA6

Harmony XB5, Wireless and batteryless push button, plastic, blue, Ø22, spring return with transmitter



Main

| | |
|---------------------------|--------------------------------------|
| Range of Product | Harmony XB5 |
| Product or Component Type | Wireless and batteryless transmitter |
| Device short name | XB5R |
| Bezel material | Dark grey plastic |
| Fixing collar material | Plastic |
| Mounting diameter | 0.87 in (22 mm) |
| Transmission frequency | 2405 MHz |
| Emission class | 5M00G7W |
| Antenna type | Omnidirectional |

Complementary

| | |
|------------------------------|--|
| Shape of signaling unit head | Round |
| Operator profile | Blue flush |
| Max power consumption in W | 1 mW |
| Number of Channels | 16 |
| Modulation technique | O-QPSK |
| Bandwidth | 5 MHz |
| Antenna gain | 0 dBi |
| Embedding Depth | 1.65 in (42 mm) |
| CAD overall height | 1.63 in (41.5 mm) |
| CAD overall width | 1.18 in (30 mm) |
| CAD overall depth | 1.69 in (43 mm) |
| Net Weight | 0.10 lb(US) (0.045 kg) |
| Operating travel | 0.17 in (4.3 mm) total travel) |
| Operating force | 10 N C/O changing electrical state |
| Mechanical robustness | Free fall resistance 1000 mm EN/IEC 60068-2-32 |
| Standards | CSA C22.2 No 14 EN/IEC 60947-1 EN/IEC 60947-5-1 UL 508 |
| Radio agreement | ANATEL ARIB T66 FCC ICASA RSS |
| Communication port protocol | Zigbee green power 2.4 GHz IEEE 802.15.4 |
| Maximum sensing distance | 328.08 Ft (100 m) in free field 82.02 Ft (25 m) transmitter in a plastic box type XAL D and receiver in a metal enclosure 984.25 ft (300 m) transmitter in box type XAL D, receiver in metal enclosure and use relay-antenna |
| Acquisition time | 2 ms |
| Response time | < 2 ms |
| Emission Power | 3 mW |
| Fixing mode | Fixing nut beneath head 17.70...21.24 lbf.in (2...2.4 N.m) |

The information provided in this documentation contains general descriptions and/or technical characteristics of the performance of the products contained herein. This documentation is not intended as a substitute for and is not to be used for determining suitability or reliability of these products for specific user applications. It is the duty of any such user or integrator to perform the appropriate and complete risk analysis, evaluation and testing of the products with respect to the relevant specific application or use thereof. Neither Schneider Electric Industries SAS nor any of its affiliates or subsidiaries shall be responsible or liable for misuse of the information contained herein.

| | |
|-----------------------------|--|
| Station name | XALD 1...5 cut-outs XALK 2...5 cut-outs |
| Electrical composition code | PW1 |

Environment

| | |
|---------------------------------------|--|
| Ambient Air Temperature for Storage | -40...158 °F (-40...70 °C) |
| Ambient Air Temperature for Operation | -40...158 °F (-40...70 °C) |
| Relative humidity | 95 % -40...158 °F (-40...70 °C) without condensation |
| IP degree of protection | IP66 IEC 60529 front face) IP67 IEC 60529 front face) IP69 IEC 60529 front face) IP69K IEC 60529 front face) |
| IK degree of protection | IK03 IEC 50102 |
| Mechanical durability | 1000000 cycles |
| Shock resistance | 25 gn 6 ms) 6000 shocks IEC 60068-2-27 30 gn 18 ms) half sine wave acceleration IEC 60068-2-27 50 gn 11 ms) half sine wave acceleration IEC 60068-2-27 |
| Vibration resistance | 5 gn 11...500 Hz)IEC 60068-2-6 +/- 10 mm 2...11 Hz)IEC 60068-2-6 |
| Electromagnetic compatibility | Electrostatic discharge immunity test 8 kV in free air (in insulating parts)) IEC 61000-4-2 Electrostatic discharge immunity test 4 kV on contact (on metal parts)) IEC 61000-4-2 Susceptibility to electromagnetic fields 20 V/m 80...3000 MHz) IEC 61000-4-3 Susceptibility to electromagnetic fields 6 V/m 3000...6000 MHz, distance = 20 m) IEC 61000-4-3 |
| Product Certifications | CCC C-tick CSA GOST BT 2006/95/EC UL |
| Directives | 2004/108/EC - electromagnetic compatibility 1999/5/EC - R&TTE directive |

Ordering and shipping details

| | |
|-----------------------|---------------------------------|
| Category | 22470-XB5R WIRELESS PUSH BUTTON |
| Discount Schedule | I |
| GTIN | 3606480334641 |
| Nbr. of units in pkg. | 1 |
| Package weight(Lbs) | 1.90 oz (54.0 g) |
| Returnability | No |
| Country of origin | FR |

Packing Units

| | |
|------------------------------|------------------------|
| Unit Type of Package 1 | PCE |
| Package 1 Height | 1.18 in (3 cm) |
| Package 1 width | 2.13 in (5.4 cm) |
| Package 1 Length | 3.31 in (8.4 cm) |
| Unit Type of Package 2 | S01 |
| Number of Units in Package 2 | 25 |
| Package 2 Weight | 3.28 lb(US) (1.486 kg) |
| Package 2 Height | 5.91 in (15 cm) |
| Package 2 width | 5.91 in (15 cm) |
| Package 2 Length | 15.75 in (40 cm) |

Offer Sustainability

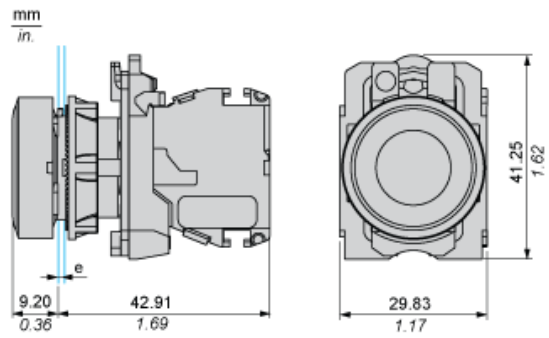
| | |
|----------------------------|---|
| Sustainable offer status | Green Premium product |
| California proposition 65 | WARNING: This product can expose you to chemicals including: Lead and lead compounds, which is known to the State of California to cause cancer and birth defects or other reproductive harm. For more information go to www.P65Warnings.ca.gov |
| REACH Regulation | REACH Declaration |
| REACH free of SVHC | Yes |
| EU RoHS Directive | Pro-active compliance (Product out of EU RoHS legal scope) EU RoHS Declaration |
| Mercury free | Yes |
| RoHS exemption information | Yes |
| China RoHS Regulation | China RoHS Declaration |
| Environmental Disclosure | Product Environmental Profile |
| Circularity Profile | End Of Life Information |
| WEEE | The product must be disposed on European Union markets following specific waste collection and never end up in rubbish bins. |

Contractual warranty

| | |
|----------|-----------|
| Warranty | 18 months |
|----------|-----------|

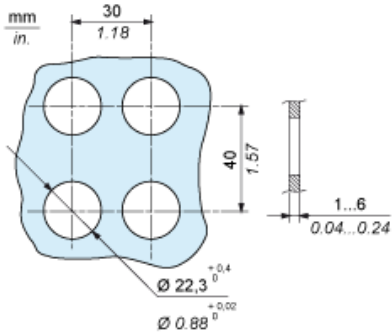
Wireless and Batteryless Pushbutton - Transmitter

With Plastic Pushbutton without Cap

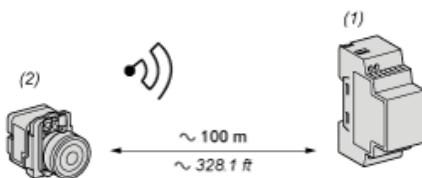


e: panel thickness 1 to 6 mm / 0.039 to 0.24 in.

Transmitter Mounting

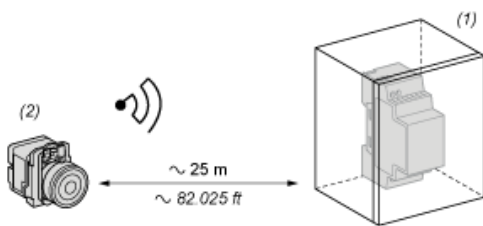


Transmitter Clearance in Free Field Unobstructed



- (1): Receiver
- (2): Transmitter

Transmitter Clearance in a Metal Enclosure



- (1): Metal enclosure
- (2): Transmitter

The range is reduced if the transmitter is placed in a metal enclosure (reduction factor: approx 10%)

| | |
|-----------------|------------|
| Glass window | 10...20 % |
| Plaster wall | 30...45 % |
| Brick wall | 60 % |
| Concrete wall | 70...80 % |
| Metal structure | 50...100 % |