



High output LED yardblaster delivers enough light to hit the broad side of a barn. Durable finish withstands harsh environments.

Color: Silver gray

Weight: 6.9 lbs

**Project:**

**Type:**

**Prepared By:**

**Date:**

**Driver Info**

**LED Info**

Type	Constant Current	Watts	26W
120V	0.5A	Color Temp	5000K (Cool)
208V	N/A	Color Accuracy	76 CRI
240V	N/A	L70 Lifespan	100,000 Hours
277V	N/A	Lumens	3,685
Input Watts	30W	Efficacy	122.8 lm/W

**Technical Specifications**

**Compliance**

**UL Listed:**

Suitable for wet locations

**IESNA LM-79 & IESNA LM-80 Testing:**

RAB LED luminaires and LED components have been tested by an independent laboratory in accordance with IESNA LM-79 and LM-80.

**DLC Listed:**

This product is on the Design Lights Consortium (DLC) Qualified Products List and is eligible for rebates from DLC Member Utilities.

DLC Product Code: P0000173E

**Electrical**

**Driver:**

Constant Current, 120V, 50/60 Hz, 700mA, 120V: 0.6A, Power Factor: 99.3%

**THD:**

6.8% at 120V, 12.4% at 277V

**Power Factor:**

99.5% at 120V, 93.6% at 277V

**Photocell:**

integrated 120V compatible photocell included

**Surge Protection:**

2kV

**LED Characteristics**

**LEDs:**

Multi-chip, high-output, long-life LED

**Color Stability:**

LED color temperature is warranted to shift no more than 200K in color temperature over a 5-year period

**Color Uniformity:**

RAB's range of Correlated Color Temperature follows the guidelines of the American National Standard for Specifications for the Chromaticity of Solid State Lighting (SSL) Products, ANSI C78.377-2017.

**Performance**

**Lifespan:**

100,000-Hour LED lifespan based on IES LM-80 results and TM-21 calculations

**Construction**

**Cold Weather Starting:**

Minimum starting temperature is -40°C (-40°F)

**Housing:**

Precision die-cast aluminum housing and arm

**Technical Specifications (continued)**

**Construction**

**Mounting:**

Mounts on wall or existing arm/pole YARM24 (1 5/8" diameter pipe)

**Effective Projected Area:**

EPA = 0.3

**Recommended Mounting Height:**

15 ft

**Lens:**

High-impact, frosted polycarbonate lens

**Reflector:**

High-reflectance white paint

**Gaskets:**

High-temperature silicone

**Finish:**

Our environmentally friendly polyester powder coatings are formulated for high-durability and long-lasting color

**Green Technology:**

Mercury and UV free. RoHS-compliant components.

**Other**

**Patents:**

The design of YBLED26 is protected by patents pending in US, Canada, China, Taiwan and Mexico

**Warranty:**

RAB warrants that our LED products will be free from defects in materials and workmanship for a period of five (5) years from the date of delivery to the end user, including coverage of light output, color stability, driver performance and fixture finish. RAB's warranty is subject to all terms and conditions found at [rablighting.com/warranty](http://rablighting.com/warranty).

**Buy American Act Compliance:**

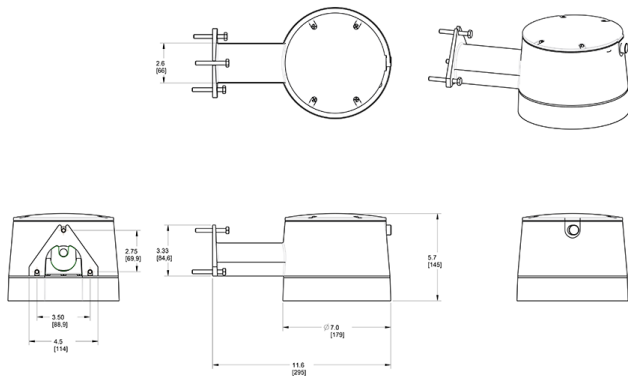
RAB values USA manufacturing! Upon request, RAB may be able to manufacture this product to be compliant with the Buy American Act (BAA). Please contact customer service to request a quote for the product to be made BAA compliant.

**Optical**

**BUG Rating:**

B1 U2 G1

**Dimensions**



**Features**

- Widespread light distribution illuminates large areas
- Vandal-resistant
- High-impact polycarbonate lens
- Rugged die-cast aluminum housing withstands harsh environments
- Integrated dusk to dawn photocell
- 100,000-hour LED lifespan

Ordering Matrix

Family	Wattage	Color Temp	Mounting	Dimming	Options
YBLED	26				
	26 = 26W 40 = 40W 60 = 60W	Blank = 5000K Cool Y = 3000K Warm N = 4000K Neutral	Blank = Wall /ARM = Arm	Blank = No Dimming <sup>3</sup> /D10 = 0-10V Dimming <sup>1</sup>	Blank = Button Photocell <sup>2</sup> /PCU = Standard Button Photocell /PCT = Twistlock Photocell /SPR = 5-Pin Receptacle /LC = Lightcloud® Controller

<sup>1</sup> Available only in 40W & 60W with /SPR or /LC

<sup>2</sup> Standard with 26W

<sup>3</sup> Available only in the Blank, /PCU or /PCT options