



Main

| | |
|---------------------------|--|
| Range of Product | Modicon TM3 |
| Product or Component Type | Discrete output module |
| Range Compatibility | Modicon M241 Modicon M251 Modicon M221 Modicon M262 |
| Discrete output type | Transistor |
| Discrete output number | 8 |
| Discrete output logic | Negative logic (sink) |
| Discrete output voltage | 24 V DC transistor output |
| Discrete output current | 50 mA transistor output |

Complementary

| | |
|--|--|
| Discrete I/O number | 8 |
| Current consumption | 5 mA 5 V DC via bus connector at state off) 0 mA 24 V DC via bus connector at state off) 20 mA 24 V DC via bus connector at state on) 10 mA 5 V DC via bus connector at state on) |
| Response time | 450 µs (turn-on) 450 µs (turn-off) |
| Maximum leakage current | 0.1 mA transistor output |
| Maximum voltage drop | <0.4 V |
| Local signalling | For output status 1 LED per channel (green) |
| Electrical connection | 11 x 2.5 mm ² removable screw terminal block pitch 5.08 mm for outputs |
| Maximum cable distance between devices | Unshielded cable <98.43 ft (30 m) transistor output |
| Insulation | Between output and internal logic 500 V AC Non-insulated between outputs |
| Marking | CE |
| Mounting support | Top hat type TH35-15 rail IEC 60715 Top hat type TH35-7.5 rail IEC 60715 Plate or panel with fixing kit |
| Height | 3.54 in (90 mm) |
| Depth | 3.33 in (84.6 mm) |
| Width | 1.08 in (27.4 mm) |
| Net Weight | 1.68 lb(US) (0.76 kg) |

Environment

| | |
|---------------------------------------|---|
| Standards | EN/IEC 61131-2 EN/IEC 61010-2-201 |
| Product Certifications | CULus C-tick |
| Resistance to electrostatic discharge | 8 kV in air EN/IEC 61000-4-2 4 kV on contact EN/IEC 61000-4-2 |
| Resistance to electromagnetic fields | 9.14 V/m (10 V/m) 80 MHz...1 GHz EN/IEC 61000-4-3 2.74 V/m (3 V/m) 1.4 GHz...2 GHz EN/IEC 61000-4-3 0.91 V/m (1 V/m) 2 GHz...3 GHz EN/IEC 61000-4-3 |
| Resistance to magnetic fields | 98.43 A/m (30 A/m) 50/60 Hz EN/IEC 61000-4-8 |
| Resistance to fast transients | 1 kV I/OEN/IEC 61000-4-4 |
| Surge withstand | 1 kV I/O common mode EN/IEC 61000-4-5 DC |

| | |
|---------------------------------------|--|
| Resistance to conducted disturbances | 10 V 0.15...80 MHz EN/IEC 61000-4-6 3 V spot frequency (2, 3, 4, 6.2, 8.2, 12.6, 16.5, 18.8, 22, 25 MHz) Marine specification (LR, ABS, DNV, GL) |
| Electromagnetic emission | Radiated emissions 40 dB μ V/m QP class A 10 m)30...230 MHz EN/IEC 55011 Radiated emissions 47 dB μ V/m QP class A 10 m)230...1000 MHz EN/IEC 55011 |
| Ambient Air Temperature for Operation | 14...95 °F (-10...35 °C) vertical installation 14...131 °F (-10...55 °C) horizontal installation |
| Ambient Air Temperature for Storage | -13...158 °F (-25...70 °C) |
| Relative humidity | 10...95 %, without condensation in operation) 10...95 %, without condensation in storage) |
| IP degree of protection | IP20 with protective cover in place |
| Pollution degree | 2 |
| Operating altitude | 0...6561.68 ft (0...2000 m) |
| Storage altitude | 0.00...9842.52 ft (0...3000 m) |
| Vibration resistance | 3.5 mm 5...8.4 Hz DIN rail 3 gn 8.4...150 Hz DIN rail 3.5 mm 5...8.4 Hz panel 3 gn 8.4...150 Hz panel |
| Shock resistance | 15 gn 11 ms |

Ordering and shipping details

| | |
|-----------------------|------------------------------|
| Category | 22533-M2XX PLC & ACCESSORIES |
| Discount Schedule | MSX |
| GTIN | 3606480611568 |
| Nbr. of units in pkg. | 1 |
| Package weight(Lbs) | 8.11 oz (230.0 g) |
| Returnability | Yes |
| Country of origin | TW |

Packing Units

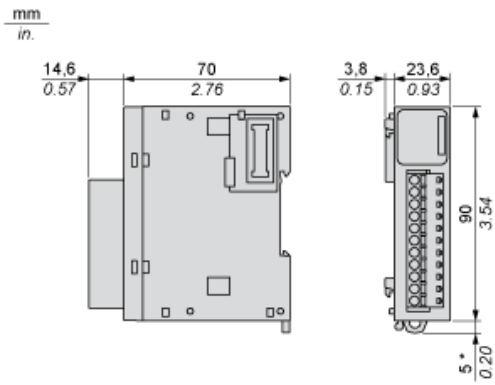
| | |
|------------------------------|------------------------|
| Unit Type of Package 1 | PCE |
| Package 1 Height | 2.95 in (7.5 cm) |
| Package 1 width | 4.92 in (12.5 cm) |
| Package 1 Length | 4.13 in (10.5 cm) |
| Unit Type of Package 2 | S02 |
| Number of Units in Package 2 | 9 |
| Package 2 Weight | 5.35 lb(US) (2.427 kg) |
| Package 2 Height | 5.91 in (15 cm) |
| Package 2 width | 11.81 in (30 cm) |
| Package 2 Length | 15.75 in (40 cm) |

Offer Sustainability

| | |
|----------------------------|---|
| Sustainable offer status | Green Premium product |
| California proposition 65 | WARNING: This product can expose you to chemicals including: Lead and lead compounds, which is known to the State of California to cause cancer and birth defects or other reproductive harm. For more information go to www.P65Warnings.ca.gov |
| REACH Regulation | REACH Declaration |
| REACH free of SVHC | Yes |
| EU RoHS Directive | Pro-active compliance (Product out of EU RoHS legal scope) EU RoHS Declaration |
| Toxic heavy metal free | Yes |
| Mercury free | Yes |
| RoHS exemption information | Yes |
| China RoHS Regulation | China RoHS Declaration |
| Environmental Disclosure | Product Environmental Profile |
| Circularity Profile | End Of Life Information |

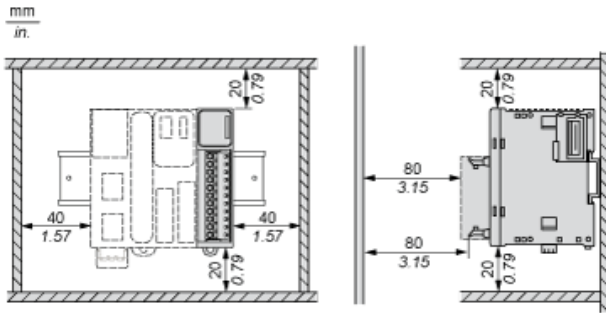
| | |
|----------|--|
| WEEE | The product must be disposed on European Union markets following specific waste collection and never end up in rubbish bins. |
| PVC free | Yes |

Dimensions

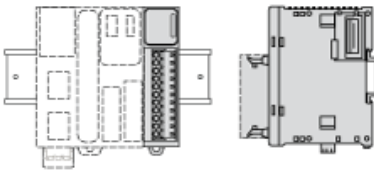


(*) 8.5 mm/0.33 in. when the clamp is pulled out.

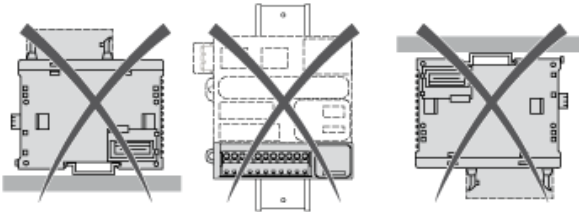
Spacing Requirements



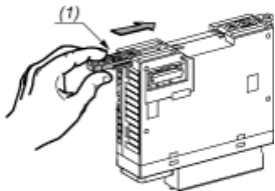
Mounting on a Rail



Incorrect Mounting

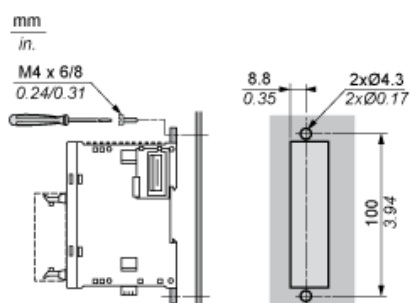


Mounting on a Panel Surface



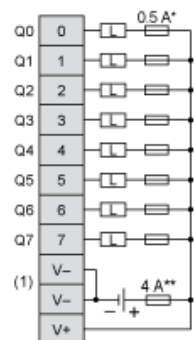
- (1) Install a mounting strip

Mounting Hole Layout



Digital Transistor Output Module (8-channel, Sink)

Wiring Diagram



(*) Type T Fuse

(**) Type F fuse

(1) The V- terminals are connected internally.