



Same small package. Bigger output. Replaces 50W MR16 Floodlight.

Color: Bronze

Weight: 1.6 lbs

<b>Project:</b>	<b>Type:</b>
<b>Prepared By:</b>	<b>Date:</b>

Driver Info		LED Info	
Type	Constant Current	Watts	8W
120V	0.14A	Color Temp	3000K (Warm)
208V	0.09A	Color Accuracy	83 CRI
240V	0.08A	L70 Lifespan	100,000 Hours
277V	N/A	Lumens	511
Input Watts	7.2W	Efficacy	71 lm/W

## Technical Specifications

### Compliance

#### UL Listed:

Suitable for wet locations. Suitable for ground mounting.

#### IESNA LM-79 & IESNA LM-80 Testing:

RAB LED luminaires and LED components have been tested by an independent laboratory in accordance with IESNA LM-79 and LM-80.

### LED Characteristics

#### LED:

High-output, long-life LED

#### Color Consistency:

4-step MacAdam Ellipse binning to achieve consistent fixture-to-fixture color

#### Color Stability:

LED color temperature is warranted to shift no more than 200K in color temperature over a 5-year period

### Color Uniformity:

RAB's range of Correlated Color Temperature follows the guidelines of the American National Standard for (SSL) Products, ANSI C78.377-2017.

### Optical

#### Spot Lens:

Optional spot lens enables a tool-less conversion to a NEMA Type 3H x 3V. Great for accent lighting or grazing buildings for an artistic touch. [Spot reflector kit available here.](#)

#### Narrow Spot Lens:

Optional narrow spot lens enables a tool-less conversion to a NEMA Type 3H x 3V. Great for accent lighting or grazing buildings for an artistic touch. [Narrow spot reflector kit available here.](#)

### Construction

#### Cold Weather Starting:

Minimum starting temperature is -40°C (-40°F)

#### Ambient Temperature:

Suitable for use in up to 40°C (104°F)

### Thermal Management:

Optimized using computational fluid dynamics software to ensure long LED and driver lifespan

### Housing:

Precision die-cast aluminum, lens frame and mounting arm

### Lens:

Microprismatic diffuser produces a smooth distribution and low glare

### Gaskets:

High-temperature silicone

**Technical Specifications (continued)**

**Construction**

**Finish:**

Our environmentally friendly polyester powder coatings are formulated for high-durability and long-lasting color, and contains no VOC or toxic heavy metals

**Green Technology:**

Mercury and UV free. RoHS-compliant components.

**Other**

**Warranty:**

RAB warrants that our LED products will be free from defects in materials and workmanship for a period of five (5) years from the date of delivery to the end user, including coverage of light output, color stability, driver performance and fixture finish. RAB's warranty is subject to all terms and conditions found at [rablighting.com/warranty](http://rablighting.com/warranty).

**Patents:**

The design of the LFLED is protected by Taiwan Patent 01510966 and pending patents in US, Canada, China, and Mexico

**Buy American Act Compliance:**

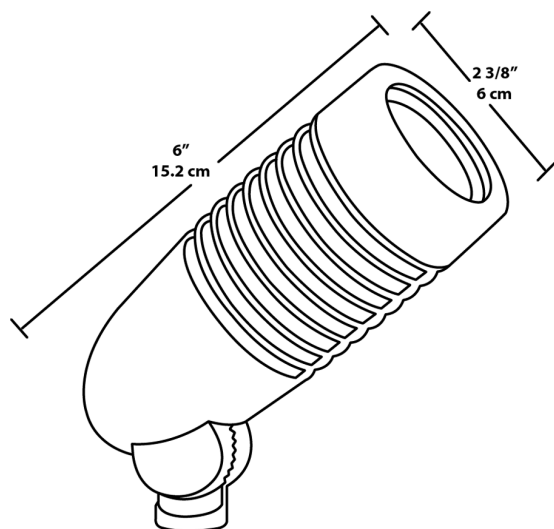
RAB values USA manufacturing! Upon request, RAB may be able to manufacture this product to be compliant with the Buy American Act (BAA). Please contact customer service to request a quote for the product to be made BAA compliant.

**Electrical**

**Driver:**

Constant Current, Class 2, 50/60 Hz, 100-240VAC: 0.20Amps

**Dimensions**



**Features**

- Microprismatic diffuser produces a smooth distribution and low glare
- 4H x 4V NEMA beam spread
- Optional spot and narrow spot hood reflectors available
- Runs cool; prevents burning foliage or fingers
- 5-Year, No-Compromise Warranty

**Ordering Matrix**

Family	Wattage	Color Temp	Finish
LFLED	8	Y	A
	8 = 8W	Y = 3000K Warm Blank = 5000K Cool N = 4000K Neutral	A = Bronze W = White B = Black VG = Verde Green