



5" IC 900 LUMEN WARMDIM® LED DOWNLIGHT NEW CONSTRUCTION

IC20LED (VD G4 09LM), RECESSED HOUSING

OPEN TRIMS

Project: _____

Fixture Type: _____

Location: _____

Contact/Phone: _____



PRODUCT DESCRIPTION

Dedicated LED, Air-Loc® sealed new construction housing with patented WarmDim® technology • LED color temperature warms while dimming to emulate the dimming performance of traditional incandescent light sources • Shallow housing allows for fit in 2 x 6 construction • Can be completely covered with insulation • Fully sealed housing stops infiltration and exfiltration of air, reducing heating and air cooling costs without the use of additional gaskets • LED housing is designed to provide 50,000 hours of life and is compatible with many standard Juno trims • 5 year limited warranty on LED components.

ENVIRONMENTALLY FRIENDLY, ENERGY EFFICIENT

- No harmful ultraviolet or infrared wavelengths
- No lead or mercury
- Comparable light output to 75W PAR30 incandescent

PRODUCT SPECIFICATIONS

LED Light Engine Proprietary patented micro processor controlled light engine emulates dimming performance of incandescent light source

- Replaceable light engine integrated to thermally conductive housing provides uninterrupted heat transfer to ensure long life of the LEDs • 3000K color temperature at full lumen output • 90 CRI minimum throughout dimming range • Design covered under Patent US 8,710,754.

Optical System Computer-optimized reflector design with high reflectance white finish coupled with a high transmission diffusing lens conceals the LEDs and produces uniform aperture luminance • Deep regression of lens produces a low glare, efficient system that can produce over 900 lumens with select trims • Wide flood (>70°) distribution shipped as standard with optional optic accessory available and sold separately.

Aesthetic Trim Selections Compatible with wide selection of existing Juno trims • Shadow free, knife edge design blends seamlessly into ceiling.

LED Driver Dedicated 120 volt driver • Power factor > 0.9 • Dimmable with the use of most incandescent, magnetic low voltage and electronic low voltage wall box dimmers • For a list of compatible dimmers, see [JUNOICLED-DIM](#) • Mounted between the j-box and housing for easy access and cool operation.

Life Rated for 50,000 hours at 70% lumen maintenance.

Labels ENERGY STAR® Certified when used with select trims • Certified to the high efficacy requirements of California T24 JA8-2019 with select trims • UL listed for U.S. and Canada through-branch wiring, damp locations • Union made • UL and cUL.

Testing All reports are based on published industry procedures; field performance may differ from laboratory performance.

Specifications subject to change without notice.

HOUSING FEATURES

Housing Designed for use in IC (insulated ceiling) or non-IC construction • Aluminum housing sealed for Air-Loc® compliance • Housing is vertically adjustable to accommodate up to a 2" ceiling thickness.

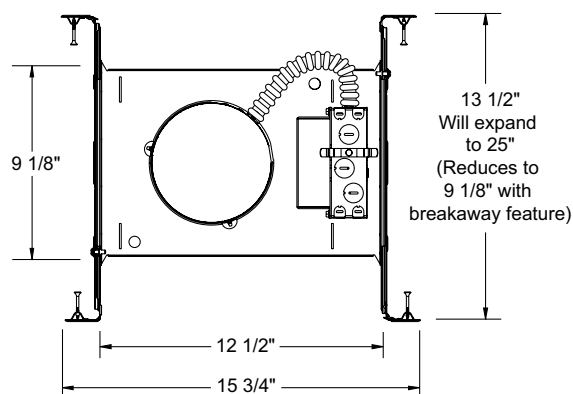
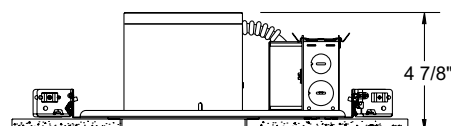
Junction Box Pre-wired junction box provided with (5) ½" and (1) ¾" knockouts, (4) knockouts for 12/2 or 14/2 NM cable and ground wire • UL listed and cUL listed for through-branch wiring, maximum 8 #12 branch circuit conductors • Junction box provided with removable access plates • Knockouts equipped with pryout slots • Quick connect electrical connectors supplied as standard for fast, secure installation.

Mounting Frame 22-gauge die-formed galvanized steel mounting frame • Rough-in section (junction box, mounting frame, housing and bar hangers) fully assembled for ease of installation.

Real Nail 3 Bar Hangers Telescoping Real Nail® 3 system permits quick placement of housing anywhere within 24" O.C. joists or suspended ceilings • Includes removable nail for repositioning of fixture in wood joist construction • Integral T-bar notch and clip for suspended ceilings • Design covered under US Patent D552,969.



DIMENSIONS

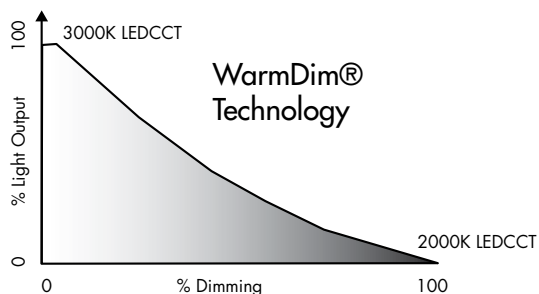


5 5/8" CEILING CUTOUT

ELECTRICAL DATA

Dedicated 120V Only Driver

120V	
Input Power	18.0W (+/-5%)
Input Current	0.15A
Frequency	50/60 Hz
EMI/RFI	FCC Title 47 CFR, Part 15 Class B (residential)
Minimum starting temp	-25°C



5" IC 900 LUMEN WARMDIM® LED DOWNLIGHT NEW CONSTRUCTION

IC20LED (WD G4 09LM), RECESSED HOUSING
OPEN TRIMS

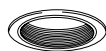
ORDERING INFORMATION

Housing and trim can be ordered together or separate, but will always ship separately.

Example: IC20LED WD G4 09LM 30K 90CRI 120 FRPC

Series	Dynamic Feature	Generation	Lumens	Color Temperature	CRI	Voltage	Driver
IC20LED	5" LED IC New Construction Downlight	WD Warm Dim	G4 Generation 4	09LM 900 Nominal Lumens	30K 3000K	90CRI 90+ CRI	120 120V FRPC Forward/ Reverse Phase Cut

Trim/Description



205 BBRZ¹

5" Downlight Baffle Trim - Black Baffle, Bronze Trim Ring

¹ Not ENERGY STAR® Certified



205 BSC¹

5" Downlight Baffle Trim -Black Baffle, Satin Chrome Trim Ring



205 BWH¹

5" Downlight Baffle Trim -Black Baffle, White Trim Ring



205 WWH¹

5" Downlight Baffle Trim -White Baffle, White Trim Ring



204 BWH¹

5" Downlight Cone Trim -Black Alzak® Cone, White Trim Ring

204 CWH

5" Downlight Cone Trim -Clear Alzak® Cone, White Trim Ring

204 GWH

5" Downlight Cone Trim -Gold Alzak® Cone, White Trim Ring

204 HZWH

5" Downlight Cone Trim -Haze Cone, White Trim Ring

204 WHZBRZ

5" Downlight Cone Trim -Wheat Haze Cone, Bronze Trim Ring

204 WHZWH

5" Downlight Cone Trim -Wheat Haze Cone, White Trim Ring

204 WWH

5" Downlight Cone Trim -White Cone, White Trim Ring

Trim Size: 6¼" O.D.

Alzak® is a registered trademark of Alcoa Corp.

Note: In Canada when insulation is present, Type IC fixtures must be used.

Accessories (ordered separately)

Catalog Number Description

LEDOPTICG3 MFL Optic For G3 RECLEED - Medium Flood

To order, specify catalog number.

Catalog Number Description

TR5 BRZ 5" Trim Ring - Bronze

TR5 BL 5" Trim Ring - Black

TR5 SC 5" Trim Ring - Satin Chrome

TR5 WH 5" Trim Ring - White

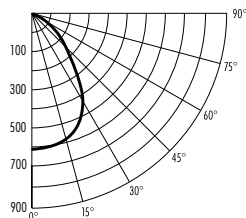
To order, specify catalog number.

PHOTOMETRIC REPORT

Test Report #: PT02140801
Catalog No: IC20LED WD G4 09LM 30K
120 FRPC with 205 WWH Trim
and standard wide flood optic

Luminaire Spacing Criterion: 1.10

Luminaire LPW: 53



CANDLEPOWER DISTRIBUTION (Candelas)

Degrees	Vertical	0°
0	610	
5	608	
15	585	
25	505	
35	336	
45	156	
55	85	
65	49	
75	30	
85	7	
90	0	

AVERAGE INITIAL FOOTCANDLES

Multiple Units (Square Array, 60"x60" room)

Ceiling 80% Wall 50% Floor 20%

Spacing	RCR1	RCR3	RCR5
4.0'	64	52	44
5.0'	41	33	28
6.0'	28	23	19
7.0'	23	19	16
8.0'	18	15	12
9.0'	14	11	10
10.0'	10	8	7

ZONAL LUMEN SUMMARY

Zone	Lumens	%Lamp	%Fixture
0-30°	453	N/A	47.7
0-40°	660	N/A	69.6
0-60°	861	N/A	90.8
0-90°	948	N/A	100.0

INITIAL FOOTCANDLES

(One Unit, 18W, 72.8° Beam)

Distance to Illuminated Plane (Feet)	Footcandles Beam Center	Beam Diameter
4	38.2	5.9'
6	17.0	8.8'
8	9.5	11.8'
10	6.1	14.7'

LUMINANCE (Average cd/m²)

Degrees	Average Luminance
45	20892
55	13986
65	10927
75	10808
85	7833