

## Panel Mounted Fuse Holders for $1\frac{3}{32}$ " x $1\frac{1}{2}$ " Fuses

### HPM



#### Specifications

Description: Standard fuse holder with **screw-type knob** for  $1\frac{3}{32}$ " x  $1\frac{1}{2}$ " fuses.

Dimensions: See Dimensions illustration.

Ratings:

Volts: — 600Vac/dc

Amps: — 30A<sup>1</sup>

<sup>1</sup> 20A max when used with quick-connect terminals.

Agency Information: CE, UL Recognized, Guide IZLT2, File E14853; CSA Certified, Class 6225-01, File 47235.

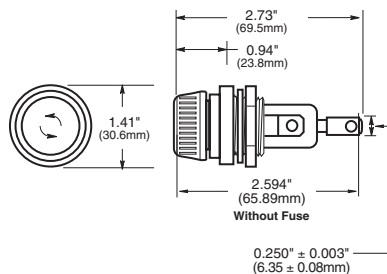
Flammability Rating: UL 94HB.

#### Catalog Numbers

Catalog Numbers	Description
HPM	$\frac{1}{4}$ " quick-connect/solder
HPM-D	Splash-resistant knob <sup>2</sup>

<sup>2</sup> HPM-D has  $\frac{1}{4}$ " quick-connect/solder terminal on rear (load) terminal only. The side (line) terminal is  $\frac{1}{4}$ " quick-connect only.

#### Dimensions



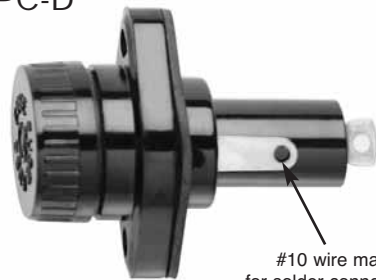
Nut Torque: 30 lb-in.

Replacement Knob:

Catalog Number: BK/9789-Y2  
(50 pieces)

Data Sheet: 2112

### HPC-D



#10 wire max for solder connection

#### Specifications

Description: Fuse holder with **screw-type knob** for  $1\frac{3}{32}$ " x  $1\frac{1}{2}$ " fuses. Supplied with O-ring and panel gasket.

Dimensions: See Dimensions illustration.

Ratings:

Volts: — 600Vac/dc

Amps: — 30A<sup>1</sup>

<sup>1</sup> 20A max when used with quick-connect terminals.

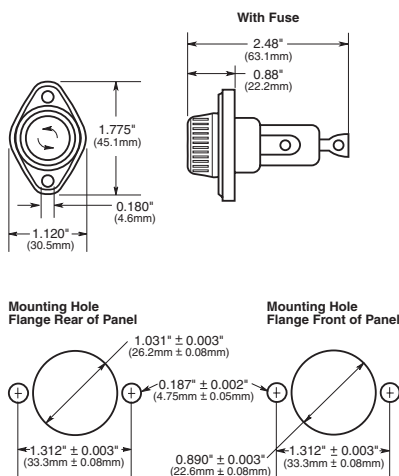
Agency Information: CE, UL Recognized, Guide IZLT2, File E14853.  
Flammability Rating: UL 94HB.

#### Catalog Numbers

Catalog Number	Description
HPC-D	Mount in panels up to $\frac{1}{4}$ " thick.

Replacement knob - BK/9987SA

#### Dimensions



Data Sheet: 2109

### HPS2



#### Specifications

Description: For fuse size  $1\frac{3}{32}$ " x  $1\frac{1}{2}$ ", meeting UL 1598 requirement that both poles be removed simultaneously.

Dimensions: See Dimensions illustration.

Ratings:

Volts: — 600V@30A

Amps: — 0-30A<sup>1</sup>

<sup>1</sup> 20A max when used with quick-connect terminals.

Agency Information: UL 4248 recognized, (Guide IZLT2, File E14853), CSA certified: (Class 6225-01, File 47235).

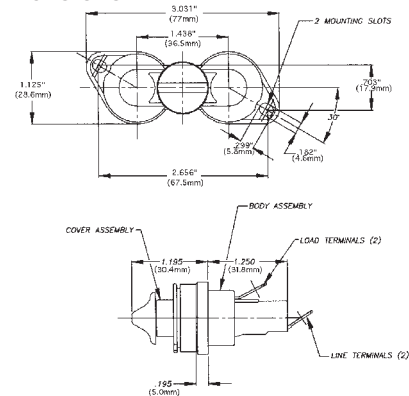
Flammability Rating: UL 94V0.

Terminals:  $\frac{1}{4}$ " quick-connect/solder.

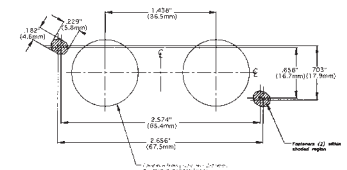
#### Catalog Numbers

Catalog Numbers	Description
HPS2	Standard 10-in carton
BK/HPS2	Bulk 100-in carton

#### Dimensions



#### Panel Mount Hole Dimensions



Data Sheet: 2140