



Rectangular shaped LED floodlight designed to replace 175W Metal Halide. patent-pending "Air-Flow" technology ensures long LED and driver lifespan. Use for building façades lighting, sign lighting, LED landscape lighting and instant-on security lighting.

Color: Bronze

Weight: 12.4 lbs

|                     |              |
|---------------------|--------------|
| <b>Project:</b>     | <b>Type:</b> |
| <b>Prepared By:</b> | <b>Date:</b> |

| Driver Info |                  | LED Info       |               |
|-------------|------------------|----------------|---------------|
| Type        | Constant Current | Watts          | 52W           |
| 120V        | 0.45A            | Color Temp     | 5000K (Cool)  |
| 208V        | 0.27A            | Color Accuracy | 75 CRI        |
| 240V        | 0.24A            | L70 Lifespan   | 100,000 Hours |
| 277V        | 0.21A            | Lumens         | 7,597         |
| Input Watts | 57.8W            | Efficacy       | 131.4 lm/W    |

## Technical Specifications

### Compliance

#### UL Listed:

Suitable For Wet Locations. Suitable for mounting within 1.2M(4FT) of the ground.

#### IESNA LM-79 & LM-80 Testing:

RAB LED luminaires and LED components have been tested by an independent laboratory in accordance with IESNA LM-79 and LM-80.

#### DLC Listed:

This product is listed by Design Lights Consortium (DLC) as an ultra-efficient premium product that qualifies for the highest tier of rebates from DLC Member Utilities.

DLC Product Code: P2CRRKPHQ

### Performance

#### Lifespan:

100,000-Hour LED lifespan based on IES LM-80 results and TM-21 calculations

### Electrical

#### Driver:

Constant Current, Class 2, 100-277V, 50/60 Hz, 4 kV surge protection, 120V: 0.45A, 208V: 0.27A, 240V: 0.24A, 277V: 0.21A

### Dimming Driver:

Driver includes dimming control wiring for 0-10V dimming systems. Requires separate 0-10V DC dimming circuit. Dims down to 10%.

#### THD:

6.41% at 120V, 6.02% at 277V

#### Power Factor:

99.8% at 120V, 93.8% at 277V

#### Note:

All values are typical (tolerance +/- 10%)

### Construction

#### IP Rating:

Ingress protection rating of IP66 for dust and water

### Ambient Temperature:

Suitable for use in up to 40°C (104°F)

### Cold Weather Starting:

Minimum starting temperature is -40°C (-40°F)

### Thermal Management Housing:

Superior heat sinking with external Air-Flow fins

### Housing:

Die-cast aluminum housing, lens frame and mounting arm

**Technical Specifications (continued)**

**Construction**

**Mounting:**

Heavy-duty slipfitter for 2 3/8" OD pipe

**Effective Projected Area:**

EPA = 0.75

**Reflector:**

Specular polycarbonate

**Gaskets:**

High-temperature silicone gaskets

**Finish:**

Formulated for high durability and long-lasting color

**Green Technology:**

Mercury and UV free. RoHS-compliant components.

**Threaded Size:**

1/2" threaded arm

**Tilt Increment:**

Rotates in 6 degree increments

**Optical**

**NEMA Type:**

NEMA Beam Spread of 7H x 6V

**LED Characteristics**

**LEDs:**

Two multi-chip, 26Watt high performance LEDs

**Color Consistency:**

7-step MacAdam Ellipse binning to achieve consistent fixture-to-fixture color

**Color Stability:**

LED color temperature is warrantied to shift no more than 200K in color temperature over a 5-year period

**Color Uniformity:**

RAB's range of Correlated Color Temperature follows the guidelines of the American National Standard for (SSL) Products, ANSI C78.377-2017.

**Other**

**Equivalency:**

Equivalent to 200W Metal Halide

**Warranty:**

RAB warrants that our LED products will be free from defects in materials and workmanship for a period of five (5) years from the date of delivery to the end user, including coverage of light output, color stability, driver performance and fixture finish. RAB's warranty is subject to all terms and conditions found at [rablighting.com/warranty](http://rablighting.com/warranty).

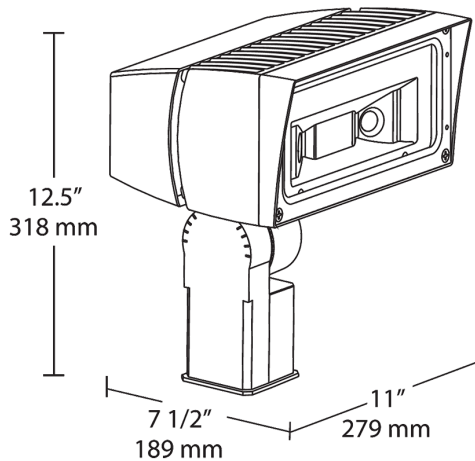
**Patents:**

The FFLED design is protected by U.S. Pat. D643,147, Canada Pat. 140798, China Pat. ZL201130171304.1, Mexico Pat. 36757 and pending patent in Taiwan.

**Buy American Act Compliance:**

RAB values USA manufacturing! Upon request, RAB may be able to manufacture this product to be compliant with the Buy American Act (BAA). Please contact customer service to request a quote for the product to be made BAA compliant.

**Dimensions**



**Features**

- Ultra-efficient LED and optical design
- Replaces 175W MH floodlights
- 100,000-hour life based on LM-80 results and TM-21 calculations
- "Air-Flow" technology heatsink
- 5-Year, No-Compromise Warranty

Ordering Matrix

| Family | Wattage  | Mounting   | Color Temp   | NEMA Type  | Finish                                    | Driver  | Options   | Other Options   |
|--------|--|--|--|--|---|---|---|---|
| FFLED  | 52   | SF   |  |  |   |   |   |   |
|        | 18 = 18W<br>26 = 26W<br>39 = 39W<br>52 = 52W<br>80 = 80W | <b>Blank</b> = Swivel Arm<br><b>SF</b> = Slipfitter<br><b>T</b> = Trunnion | <b>Blank</b> = 5000K Cool<br><b>N</b> = 4000K Neutral<br><b>Y</b> = 3000K Warm | <b>Blank</b> = 7H x 6V<br><b>B55</b> = 5H x 5V<br><b>B44</b> = 4H x 4V | <b>Blank</b> = Bronze<br><b>W</b> = White | <b>Blank</b> = On/Off <sup>1</sup><br><b>/D10</b> = 0-10V Dimming<br><b>/480</b> = 480V On/Off <sup>2</sup> | <b>Blank</b> = No Option<br><b>/PCU</b> = 120V Button Photocell<br><b>/PC</b> = 120V Photocell<br><b>/PC2</b> = 277V Photocell<br><b>/PCS</b> = 120V Swivel Photocell<br><b>/PCS2</b> = 277V Swivel Photocell<br><b>/PCS4</b> = 480V Swivel Photocell | <b>Blank</b> = Standard<br><b>USA</b> = BAA Compliant |

<sup>1</sup> Dimming Driver for 18W, 26W & 39W models only  
<sup>2</sup> Not available for 80W models