



Two adjustable 12W LED floodlights. Equivalent to 2x75W BR30/halogen/wide floods. Microprismatic diffusion lens optimizes light output without glare.

Color: Black

Weight: 4.8 lbs

Project:

Type:

Prepared By:

Date:

### Driver Info

Type	Constant Current
120V	0.22A
208V	N/A
240V	N/A
277V	N/A
Input Watts	22.6W

### LED Info

Watts	24W
Color Temp	5000K (Cool)
Color Accuracy	85 CRI
L70 Lifespan	100,000 Hours
Lumens	2,222 lm
Efficacy	98.3 lm/W

## Technical Specifications

### Compliance

#### UL Listed:

Suitable for wet locations

#### IESNA LM-79 & LM-80 Testing:

RAB LED luminaires and LED components have been tested by an independent laboratory in accordance with IESNA LM-79 and LM-80.

#### Other

#### Note:

All values are typical (tolerance +/- 10%)

#### Warranty:

RAB warrants that our LED products will be free from defects in materials and workmanship for a period of five (5) years from the date of delivery to the end user, including coverage of light output, color stability, driver performance and fixture finish. RAB's warranty is subject to all terms and conditions found at [rablighting.com/warranty](http://rablighting.com/warranty).

#### Trade Agreements Act Compliant:

This product is a product of Cambodia and a "designated country" end product that complies with the Trade Agreements Act

### Buy American Act Compliance:

RAB values USA manufacturing! Upon request, RAB may be able to manufacture this product to be compliant with the Buy American Act (BAA). Please contact customer service to request a quote for the product to be made BAA compliant.

### LED Characteristics

#### LEDs:

Multi-chip, high-output, long-life LEDs

#### Color Stability:

LED color temperature is warrantied to shift no more than 200K in color temperature over a 5-year period

#### Color Uniformity:

RAB's range of Correlated Color Temperature follows the guidelines of the American National Standard for Specifications for the Chromaticity of Solid State Lighting (SSL) Products, ANSI C78.377-2017.

### Performance

#### Lifespan:

100,000-Hour LED lifespan based on IES LM-80 results and TM-21 calculations

### Construction

#### Thermal Management:

Superior heat sinking with external Air-Flow fins

#### Housing:

Die-cast aluminum housing, lens frame and mounting plate

#### Reflector:

Semi-specular, vacuum-metalized polycarbonate

#### Lens:

Microprismatic diffusion lens for smooth and even light distribution

## Technical Specifications (continued)

### Construction

#### Mounting:

Heavy-duty mounting arm with "O" ring seal and stainless steel screws

#### Gaskets:

High-temperature silicone gaskets

#### Finish:

Our environmentally friendly polyester powder coatings are formulated for high-durability and long-lasting color

### Green Technology:

Mercury and UV free. RoHS-compliant components.

### Optical

#### NEMA Type:

NEMA Beam Spread of 6H x 6V

### Electrical

#### Driver:

Innovative integrated driver technology with 120V TRIAC and ELV dimming

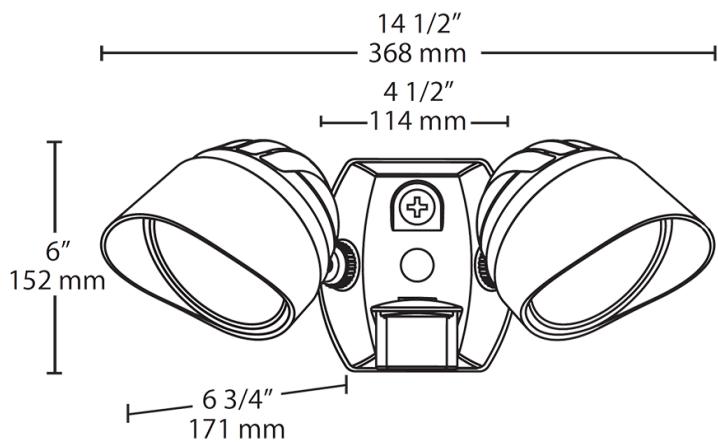
### THD:

10.9% at 120V

### Power Factor:

99.1% at 120V

## Dimensions



## Features

Two adjustable 12W LED floodlights

Equivalent to 2x75W BR30/halogen/wide floods

Microprismatic diffusion lens optimizes light output without glare

100,000-hour LED Lifespan

## Ordering Matrix

Family	Wattage	Color Temp	Finish	Other Options
BULLET	2X12		B	
	2X12 = 24W	Blank = 5000K Cool N = 4000K Neutral Y = 3000K Warm	A = Bronze B = Black VG = Verde Green W = White	Blank = Standard