

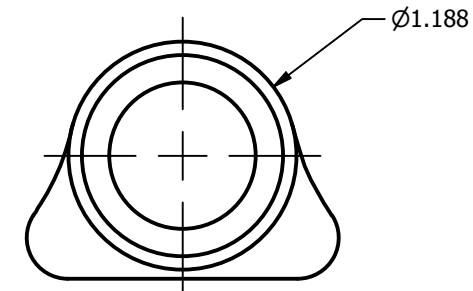
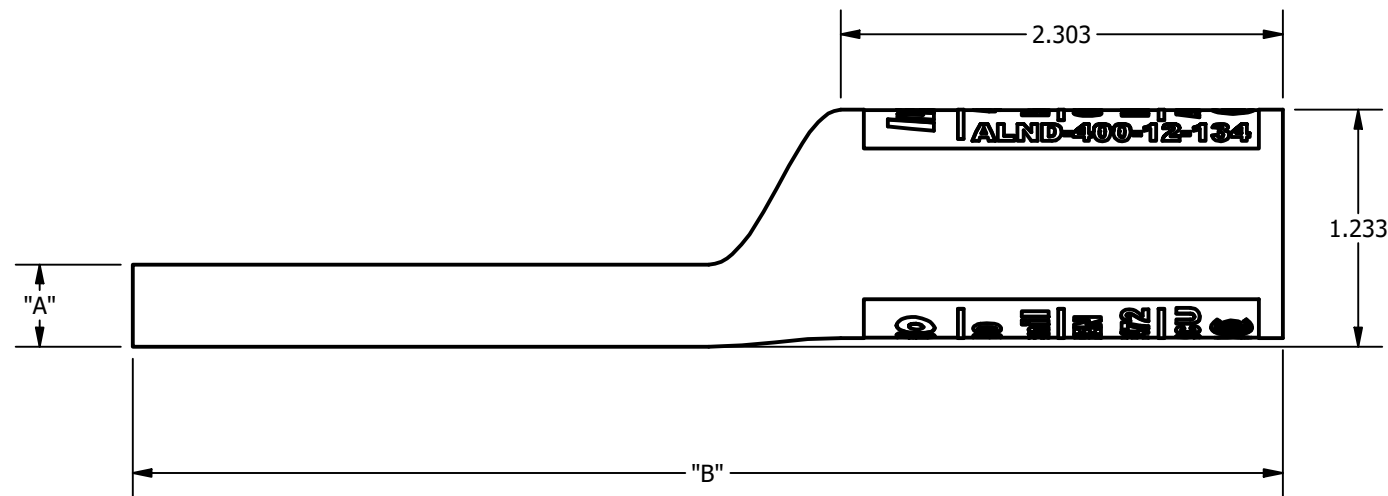
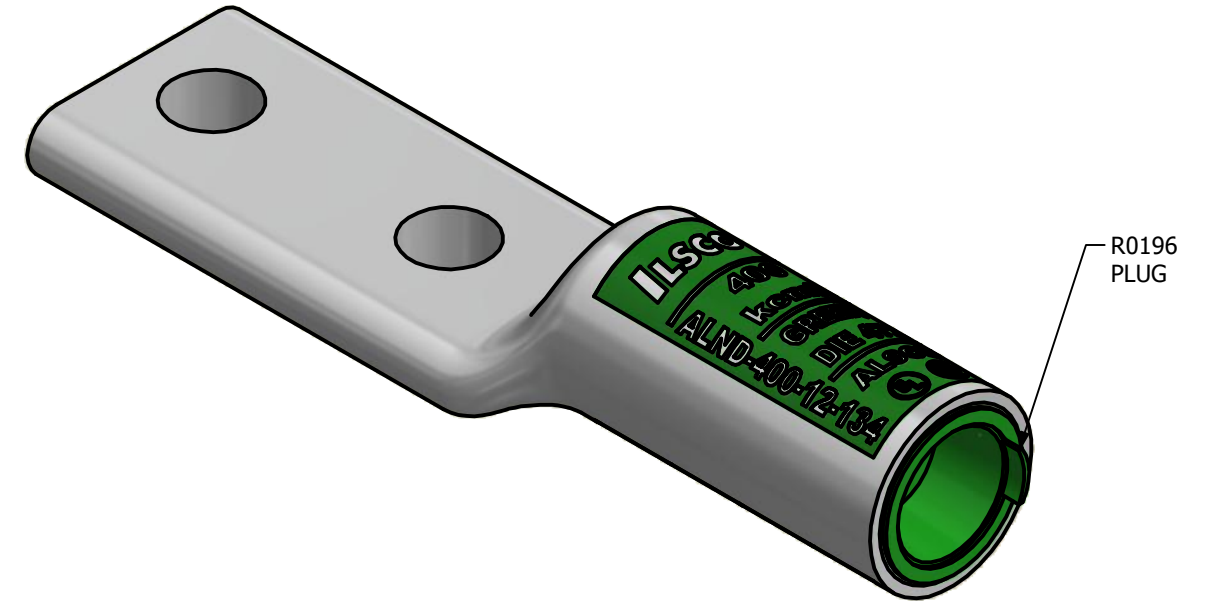
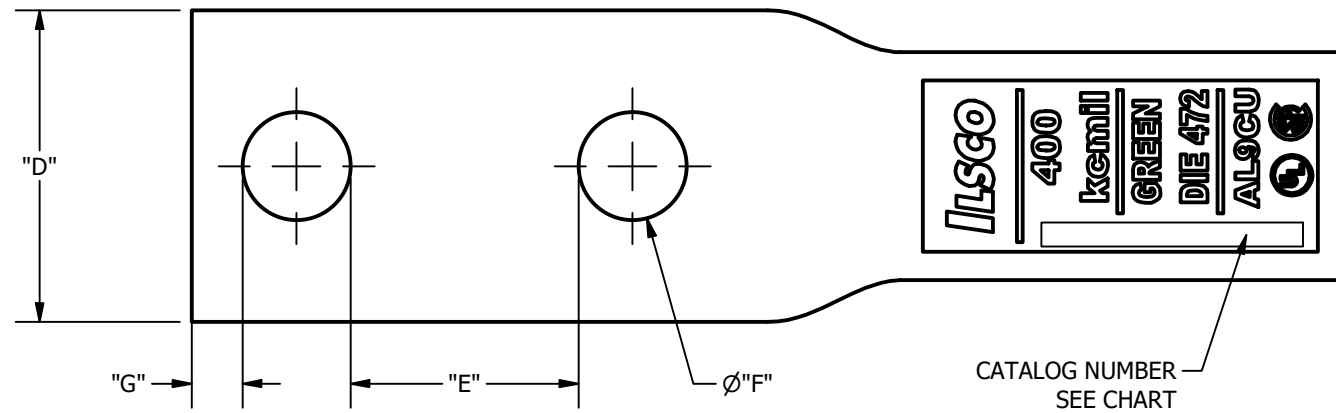
SCREW: NONE
 CAT. NO. SEE CHART
 INFORMATION SHEET: FORM 196

MATERIAL: ALUMINUM
 PLATING: EL-TIN
 MARKING: NO TANG MARKING

REV: O
 DRAWN BY: MJK SCALE: NTS
 DATE: 6/13/2013 SIZE: B

ILSCO
 connections
 matter
 800-776-9775 www.ilSCO.com

DWG NO: YA1403, YAN1403 Double
 SHEET: 1 OF 1



Catalog Number	"A"	"B"	"D"	"E"	"F"	"G"
ALND-400-38-1	.426	4.920	1.623	0.594	0.406	.211
ALNN-400-38-1	.400	4.950	1.045	0.594	0.406	.211
ALND-400-12-1	.426	5.091	1.623	0.438	0.562	.265
ALNN-400-12-1	.395	5.132	1.045	0.438	0.562	.265
ALND-400-38-134	.426	5.635	1.623	1.344	0.406	.265
ALNN-400-38-134	.400	5.635	1.045	1.344	0.406	.211
ALND-400-12-134	.426	5.990	1.623	1.188	0.562	.265
ALNN-400-12-134	.400	6.000	1.045	1.188	0.562	.265