

SCREW: E0965  
 CAT. NO. PBMW-6-750-12  
 INFORMATION SHEET: FORM 1

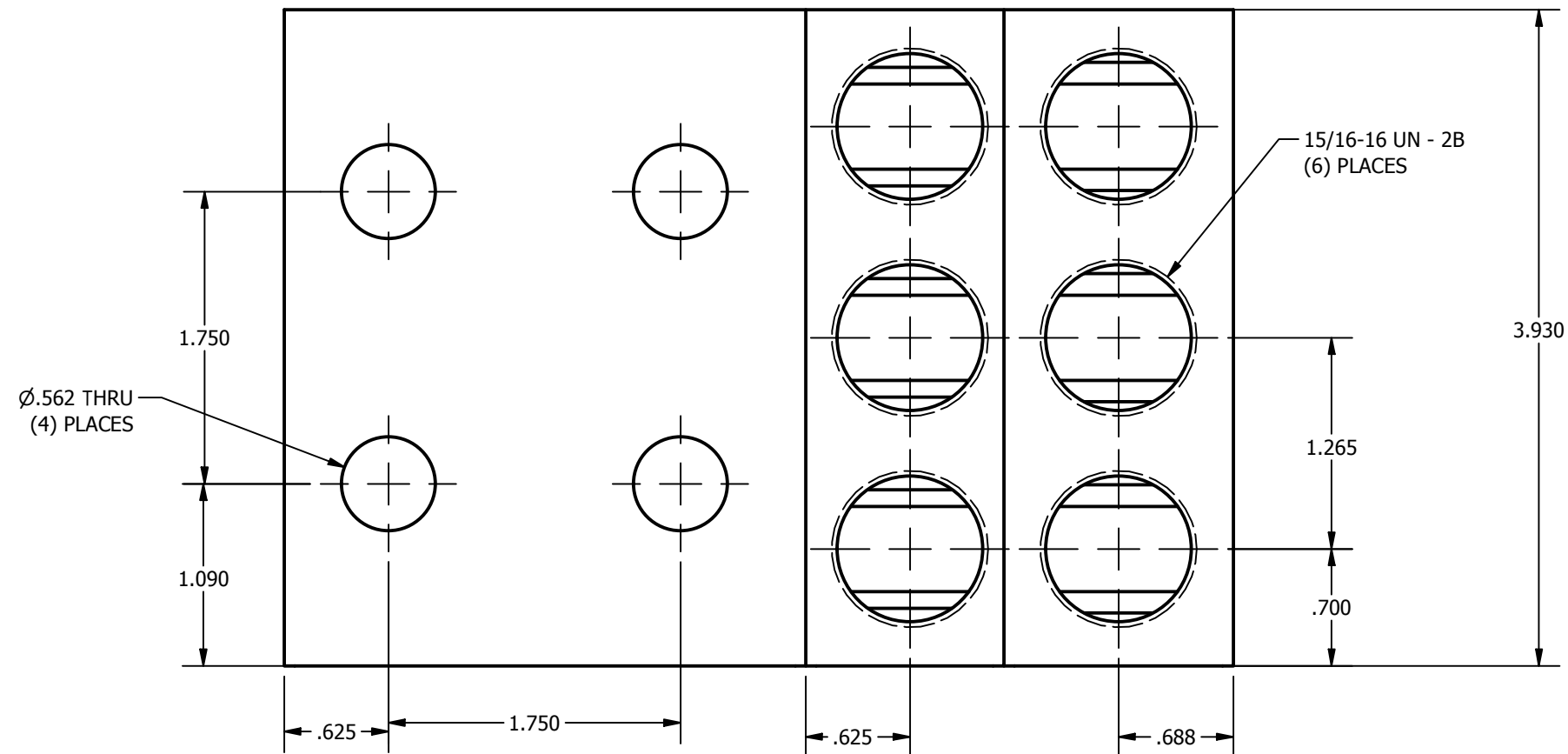
MATERIAL: ALUMINUM  
 PLATING: EL-TIN  
 MARKING: ILSCO, D3984, 750kcmil-2,  
 (2)250kcmil-1/0, AL9CU



REV: F  
 DRAWN BY: CEC  
 DATE: 7/10/2014  
 SCALE: 1:1  
 SIZE: B

**ILSCO**  
 connections  
 matter  
 800-776-9775 www.ilSCO.com

DWG NO: D3984  
 SHEET: 1 OF 1



E0965  
 (6) PLACES

