



Floodlight brackets for steel and wood poles.

Color: Galvanized

Weight: 12.4 lbs

<b>Project:</b>	<b>Type:</b>
<b>Prepared By:</b>	<b>Date:</b>

### Technical Specifications

#### Construction

**Finish:**

Galvanized steel

**EPA Maximum Capacity:**

7.4

**Bracket:**

3/16" thick steel

#### Performance

**Description:**

2"X18" Steel Cross Arm Bracket

**Other**

**Maximum Weight:**

105 lbs

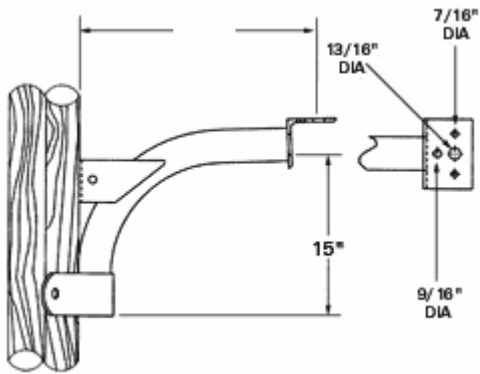
**Patents:**

The designs of fixtures are protected under U.S. and international intellectual property laws.

#### Buy American Act Compliance:

RAB values USA manufacturing! Upon request, RAB may be able to manufacture this product to be compliant with the Buy American Act (BAA). Please contact customer service to request a quote for the product to be made BAA compliant.

## Dimensions



## Features

- Easy, secure floodlight mounting
- Double Reinforced weld joints