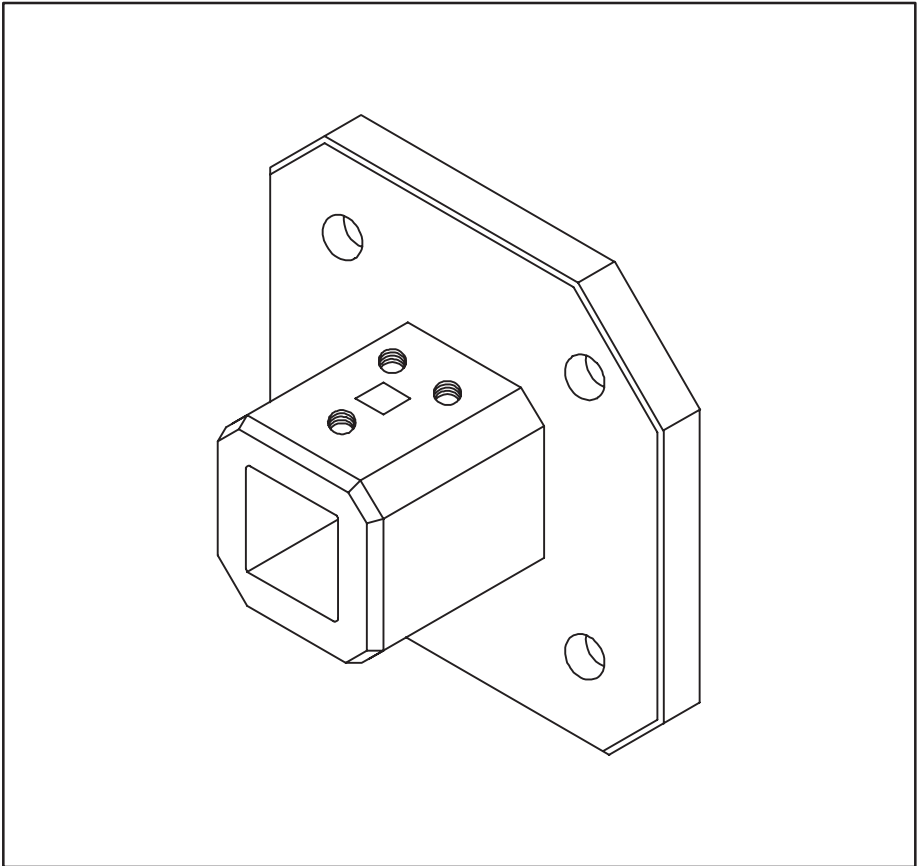




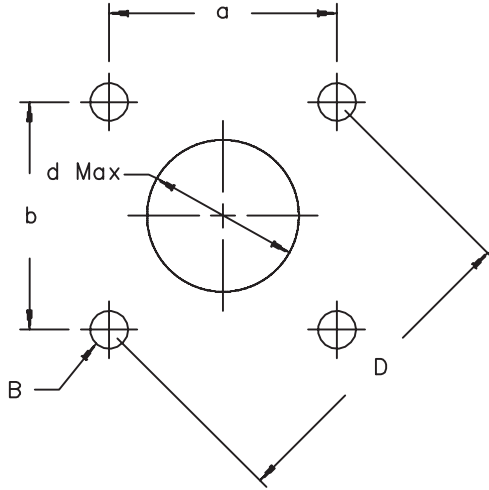
**HOFFMAN**

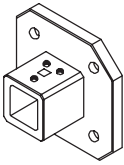
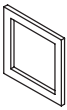
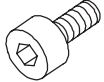
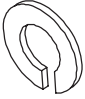



**COMPACT®**

Wall Flange  
Wandflansch  
Embase fixe  
Brida para pared

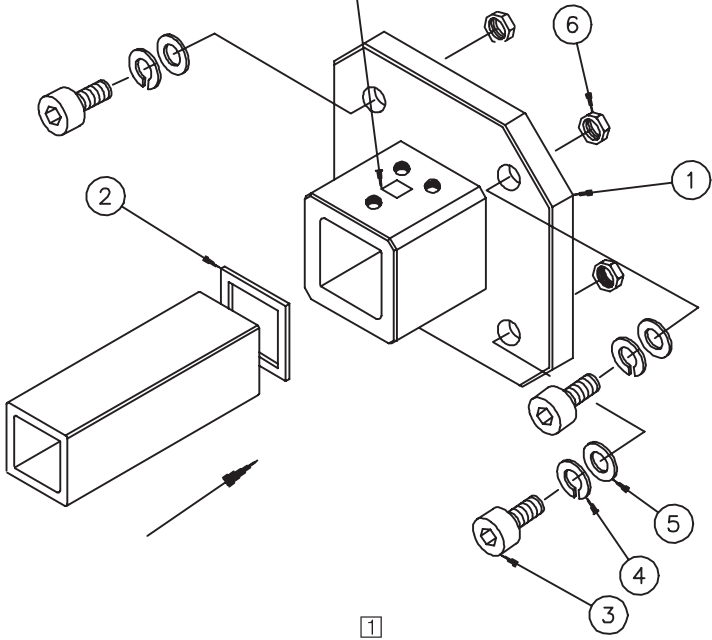


| System | a    |       | b    |       | d    |     | D    |     | B    |     |
|--------|------|-------|------|-------|------|-----|------|-----|------|-----|
|        | in.  | mm    | in.  | mm    | in.  | mm  | in.  | mm  | in.  | mm  |
| 50     | 3.48 | 88.4  | 3.48 | 88.4  | 2.75 | 70  | 4.92 | 125 | ø.42 | M10 |
| 60     | 3.67 | 93.3  | 3.67 | 93.3  | 2.75 | 70  | 5.20 | 132 | ø.42 | M10 |
| 80     | 4.81 | 122.3 | 4.81 | 122.3 | 4.13 | 105 | 6.81 | 173 | ø.50 | M12 |
| 80/140 | 4.92 | 125   | 4.92 | 125   | 4.13 | 105 | ---  | --- | ø.50 | M12 |

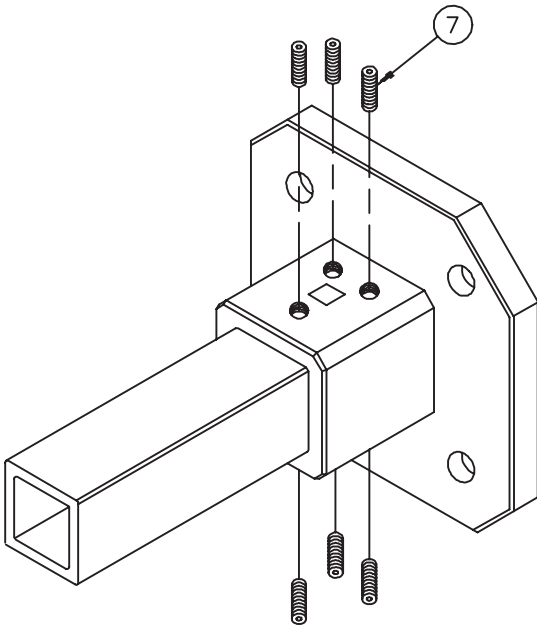


|  |  |  |   |
|--|--|--|---|
| <p>1</p>  <p>(1x)</p>   | <p>2</p>  <p>(1x)</p>   | <p>3</p>  <p>Customer Supplied<br/>Vom Kunde beigestellt<br/>Non fournie<br/>Proporcionado por el cliente</p> |   |
| <p>4</p>  <p>Customer Supplied<br/>Vom Kunde beigestellt<br/>Non fournie<br/>Proporcionado por el cliente</p> | <p>5</p>  <p>Customer Supplied<br/>Vom Kunde beigestellt<br/>Non fournie<br/>Proporcionado por el cliente</p> | <p>6</p>  <p>Customer Supplied<br/>Vom Kunde beigestellt<br/>Non fournie<br/>Proporcionado por el cliente</p> | <p>7</p>  <p>22 ft-lbs (30Nm)<br/>(6x)</p> |

Top  
Oben  
Plan  
Parte superior



1



2



**HOFFMAN**