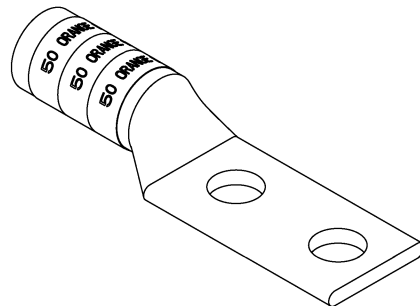
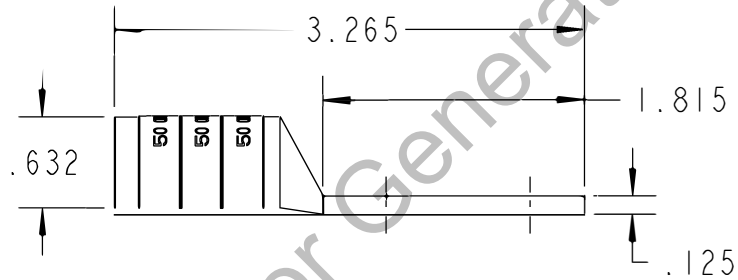
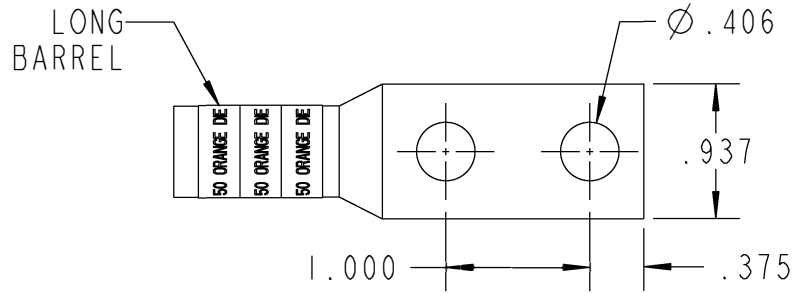


# Color-Keyed<sup>®</sup>

CATALOG NO. 54816BE



WIRE SIZE: 3/0  
 MATERIAL: HIGH CONDUCTIVITY COPPER  
 FINISH: TIN PLATED

**GENERAL NOTES**

1. ALL DIMENSIONS ARE FOR REFERENCE ONLY.
2. DIMENSIONS IN BRACKETS [ ] ARE IN METRIC UNITS.

**REVISIONS**

\*\* SEE ERN ( \*\*\*\* ) FOR APPROVAL SIGNATURES & RELEASE DATE.  
 PROJECT NO: \*\*\*\*

**Thomas & Betts**  
 www.tnb.com

DESCRIPTION:

**2 HOLE LUG**

ORIGINAL PROJECT NO / ( ERN NO )  
 / ( )

SHEET NO:  
 1 OF 1

REV. NO:  
 0

DRAWING NO: WDS-002250  
**54816BE**