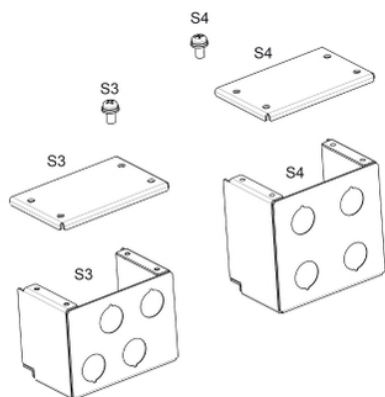


# Product data sheet

## Characteristics

# VW3A31813

kit for UL type 1 conformity - mounted under variable speed drive



### Main

|                                       |   |
|---------------------------------------|---|
| Range of Product                      | Altivar   |
| Accessory / separate part category    | Connection accessories                            |
| Accessory / separate part type        | Kit for UL type 1 conformity                      |
| Product compatibility                 | ATV312HU11M3<br>ATV312HU15M3                      |
| Accessory / separate part destination | Ensuring UL type 1 conformity to Altivar 31 drive |

### Complementary

|                     |                                  |
|---------------------|----------------------------------|
| Range Compatibility | Altivar 312 Solar<br>Altivar 312 |
| Kit composition     | Mechanical device                |
| Mounting Location   | Underside of drive               |
| Net Weight          | 0.88 lb(US) (0.4 kg)             |

### Environment

|           |           |
|-----------|-----------|
| Standards | UL Type 1 |
|-----------|-----------|

### Ordering and shipping details

|                   |               |
|-------------------|---------------|
| Category          | US1CP4B22154  |
| Discount Schedule | CP4B          |
| GTIN              | 3389110690927 |
| Returnability     | No            |
| Country of origin | US            |

### Packing Units

|                              |                   |
|------------------------------|-------------------|
| Unit Type of Package 1       | PCE               |
| Number of Units in Package 1 | 1                 |
| Package 1 Height             | 2.83 in (7.2 cm)  |
| Package 1 Width              | 6.69 in (17 cm)   |
| Package 1 Length             | 9.25 in (23.5 cm) |
| Package 1 Weight             | 17.67 oz (501 g)  |

The information provided in this documentation contains general descriptions and/or technical characteristics of the performance of the products contained herein. This documentation is not intended as a substitute for and is not to be used for determining suitability or reliability of these products for specific user applications. It is the duty of any such user or integrator to perform the appropriate and complete risk analysis, evaluation and testing of the products with respect to the relevant specific application or use thereof. Neither Schneider Electric Industries SAS nor any of its affiliates or subsidiaries shall be responsible or liable for misuse of the information contained herein.

## Offer Sustainability

|                            |   |
|----------------------------|---|
| California proposition 65  | WARNING: This product can expose you to chemicals including: Lead and lead compounds, which is known to the State of California to cause cancer and birth defects or other reproductive harm. For more information go to <a href="http://www.P65Warnings.ca.gov">www.P65Warnings.ca.gov</a> |
| REACH free of SVHC         | Yes   |
| EU RoHS Directive          | Pro-active compliance (Product out of EU RoHS legal scope) <a href="#">EU RoHS Declaration</a>  |
| Mercury free               | Yes   |
| China RoHS Regulation      | <a href="#">China RoHS Declaration</a>  |
| RoHS exemption information | <a href="#">Yes</a>   |

## Contractual warranty

|          |           |
|----------|-----------|
| Warranty | 18 months |
|----------|-----------|