

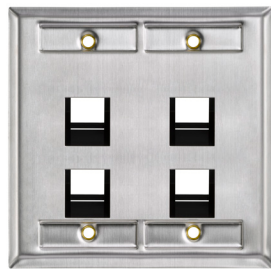
Angled Stainless-Steel QuickPort® Wallplates with ID Windows

APPLICATION

Angled stainless-steel wallplates accept QuickPort snap-in modules to support multimedia applications in single- or dual-gang flush-mount housings. Angled ports facilitate optimal cable management, ensuring proper bend radius compliance in front and back of connectors. Stainless-steel material stands up to the more demanding institutional, education, and healthcare environments.



43081-1L2



43081-2L4



43081-1L4



43081-2L8

SPECIFICATION

The wallplate shall be a flush-mount design that fits standard NEMA openings. It shall provide 2 and 4 ports in a single-gang and 4 and 8 ports in a dual-gang design and feature a 45-degree angled design to facilitate optimal cable management. Wallplate shall accept all QuickPort UTP, Fiber, or AV modules. Wallplate face shall be made of type 304 stainless steel with a plastic carrier that shall be fire-retardant plastic rated UL 94V-0. Wallplate shall be cULus Listed and compliant with ANSI/TIA-568-C.0 specifications.

Page 1 of 2

FEATURES

- 45-degree angled ports ensure proper bend radius compliance in front and back of connector
- Recessed ports protect jack and patch cord plugs
- Stainless steel for enhanced durability
- Includes ID designation windows
- Fits standard NEMA electrical boxes
- Compatible with all individual UTP, Fiber, and A/V QuickPort modules
- Ideal for CAT 6A applications at the workstation

DESIGN CONSIDERATIONS

- Fits standard NEMA single-gang electrical boxes
- For future expansion, install blanks (41084-BxB) in unused ports
- Wallplate accepts 2 and 4 QuickPort connectors in single-gang or 4 and 8 connectors in dual-gang designs

STANDARDS COMPLIANCE

- cULus Listed (UL 1863 & CAN/CSA-C22.2 No. 182.4)
- ANSI/TIA-568-C.0

PHYSICAL SPECIFICATIONS

Dimensions: See page two
Materials: Face - Stainless Steel (type 304)
 Carrier - ABS Plastic

COUNTRY OF ORIGIN

Taiwan

WARRANTY INFORMATION

For a copy of Leviton product warranties, visit www.leviton.com/warranty.

Leviton Network Solutions
 2222 - 222nd St. SE
 Bothell, WA 98021-4416

tel 1-800-824-3005
 tel +1-425-486-2222
appeng@leviton.com
www.leviton.com

Asia / Pacific
 T +1.631.812.6228
 E infoasean@leviton.com

Europe
 T +33.6.8869.1380
 E infoeurope@leviton.com

Canada
 T +1.514.954.1840
 E pcservice@leviton.com

India / SAARC
 T +971.4.886.4722
 E infoindia@leviton.com

Caribbean
 T +1.954.593.1896
 E infocaribbean@leviton.com

Mexico
 T +52.55.5082.1040
 E Isamarketing@leviton.com

China
 T +852.2774.9876
 E infochina@leviton.com

Middle East & Africa
 T +971.4.886.4722
 E lmeinfo@leviton.com

Colombia
 T +57.1.743.6045
 E infocolombia@leviton.com

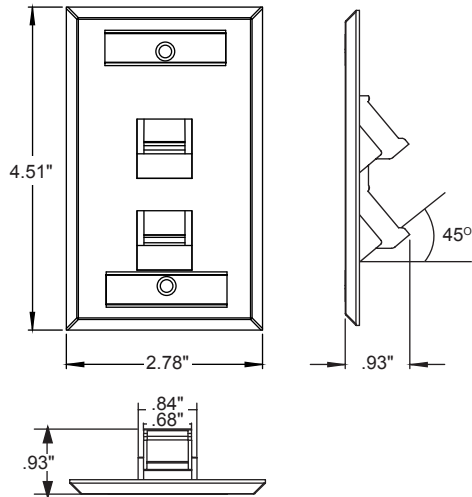
South Korea
 T +82.2.3273.9963
 E infokorea@leviton.com

ELECTRONIC FILES

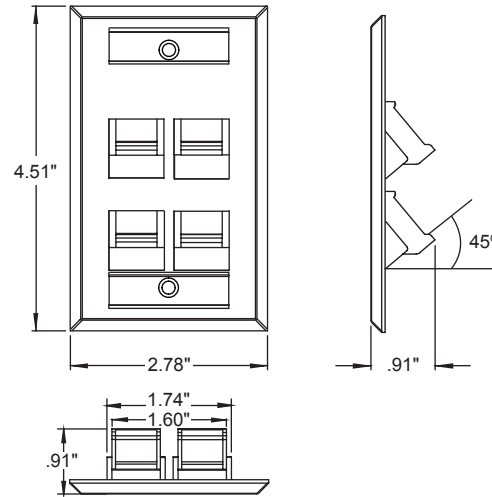
For CAD files, typical specs, or technical drawings (.DXF, .DWG), visit www.leviton.com.

43081-xLx

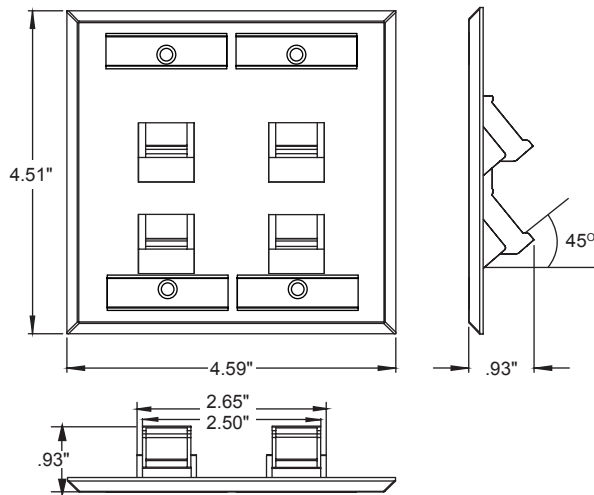
43081-1L2



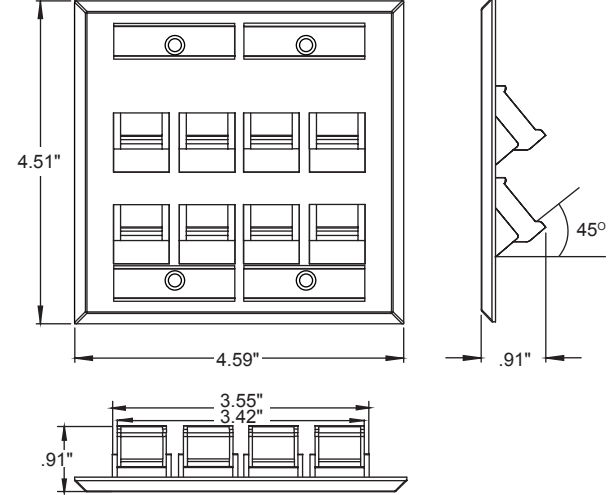
43081-1L4



43081-2L4



43081-2L8



PART NUMBERS

Description	Part No.
Angled Stainless-Steel QuickPort® Wallplate with ID Windows, 2 ports, single gang	43081-1L2
Angled Stainless-Steel QuickPort Wallplate with ID Windows, 4 ports, single gang	43081-1L4
Angled Stainless-Steel QuickPort Wallplate with ID Windows, 4 ports, dual gang	43081-2L4
Angled Stainless-Steel QuickPort Wallplate with ID Windows, 8 ports, dual gang	43081-2L8



Leviton Network Solutions
2222 - 222nd St. SE
Bothell, WA 98021-4416

Asia / Pacific
T +1.631.812.6228
E infoasean@leviton.com

Canada
T +1.514.954.1840
E pcservice@leviton.com

Caribbean
T +1.954.593.1896
E infocaribbean@leviton.com

China
T +852.2774.9876
E infochina@leviton.com

Colombia
T +57.1.743.6045
E infocolombia@leviton.com

tel 1-800-824-3005
tel +1-425-486-2222
appeng@leviton.com
www.leviton.com

Europe
T +33.6.8869.1380
E infoeurope@leviton.com

India / SAARC
T +971.4.886.4722
E infoindia@leviton.com

Mexico
T +52.55.5082.1040
E Isamarketing@leviton.com

Middle East & Africa
T +971.4.886.4722
E Imeinfo@leviton.com

South Korea
T +82.2.3273.9963
E infokorea@leviton.com