



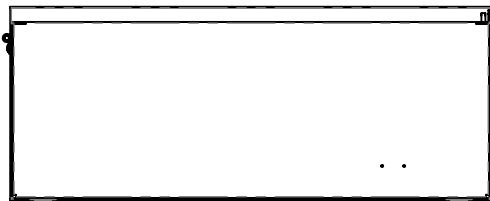
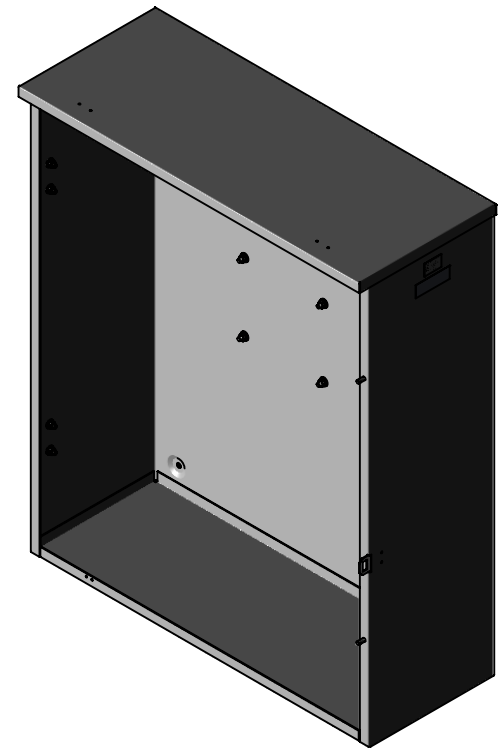
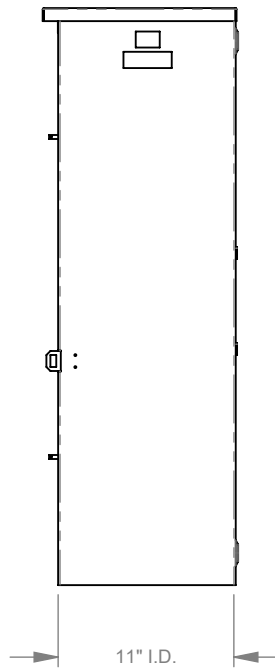
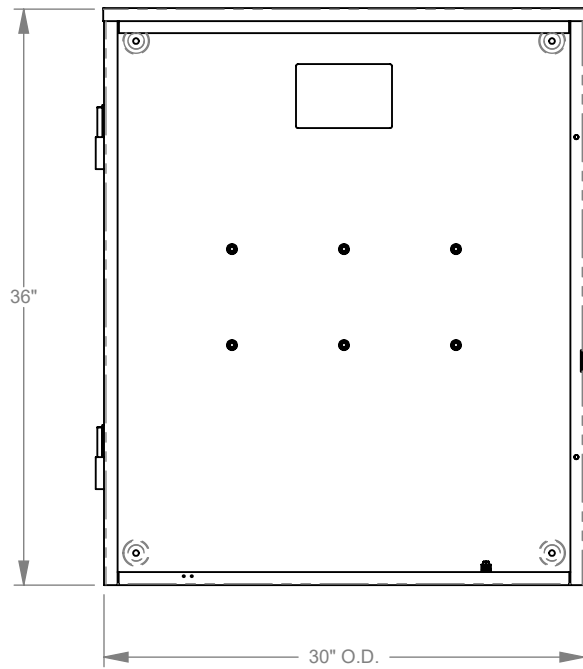
MILBANK[®]
ENERGY AT WORK

CT303611-HC



Catalog Number	CT303611-HC
Marketing Product Description	30x36x11 Painted Steel Single Front Lift Off Hinged Cover 3 Point Latch Rack Provision
UPC	784572112247
Length (IN)	11
Width (IN)	30
Height (IN)	36
Weight (LB)	120
Brand Name	Milbank
Type	Hinge Cover
Application	Current Transformer Enclosure
Standard	UL Listed
Material	G90 Galvanized Steel with Powder Coat Finish
Size	11L x 30W x 36H
Color	ANSI 61 Gray
Cable Entry	No Knockouts
Mounting	Wall Mount
NEMA Rating	Type 3R
Door or Cover	Single Door
Back Panel	Mounting Emboss on Enclosure Back
Mounting Rack	Current Transformer Mounting Rack Provision

Please consult serving utility for their requirements prior to ordering or installing, as specifications and approvals vary by utility and may require local electrical inspector approval. All installations must be installed by a licensed electrician and must comply with all national and local codes, laws and regulations. Milbank reserves the right to make changes in specifications and features shown without notice or obligation.



MILBANK
ENERGY AT WORK

Version:

1

**All dimensions are +/- 1/16".
Drawing views are not to scale.**

Please consult serving utility for their requirements prior to ordering or installing, as specifications and approvals vary by utility, and may require local electrical inspector approval. All installations must be installed by a licensed electrician and must comply with all national and local codes, laws and regulations. Milbank reserves the right to make changes in specifications and features shown without notice or obligation.