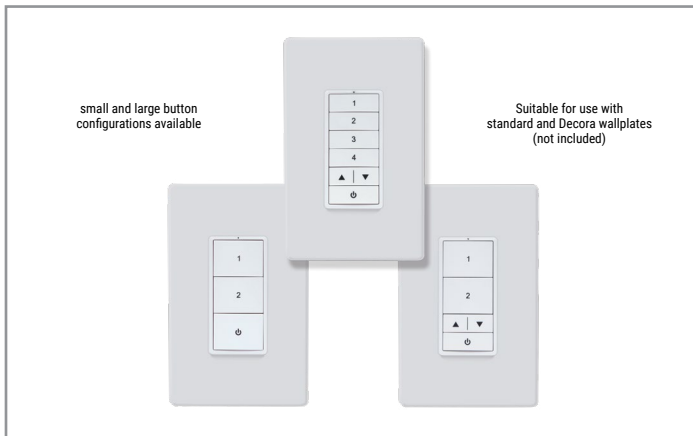


Project		Catalog #		Type	
Prepared by		Notes		Date	



## WaveLinX

### LITE Line Voltage Wallstation (WWL-Series)

Multi-scene, single area dimming wallstation which provides customized light level for each area

#### Typical Applications

Office • Education • Healthcare • Hospitality • Retail  
Industrial • Manufacturing

#### Interactive Menu

- Order Information page 2
- Button Options page 2
- Additional Resources page 3
- Connected Systems page 4
- Product Warranty

#### Product Certification\*



- Meets latest ASHRAE Standard 90.1 requirements
- Meets latest IECC requirements
- Meets latest CEC Title 24 requirements

#### Product Features



#### Compatibility



### Overview

The wallstation is an integral part of the WaveLinX LITE system and is available in small and large button configurations. These wallstations are mains (120-277VAC) powered and provide wireless control of the lighting in an area. The wallstations operate on a wireless mesh network based on IEEE 802.15.1 (Bluetooth® 4.2 Low Energy) standards.

The wallstation mounts in a standard wallbox (single or multi-gang) suitable for use with standard wallplates (not included). Each wallstation is fully configurable to provide local control in each area. Each button is configured to control a lighting scene or zone for an area and can be modified using the WaveLinX LITE application.

The wallstation is a single area, multi-scene, multi-zone capable area dimming wallstation which provides customized light level for an area. Wallstation models provide default sequence of operations including 50% light level, scene light levels between 30-70% as well as 100% and full off. Two wallstation configurations also include raise/lower buttons to manually adjust the area light levels.

### Product Features & Benefits

- Multi-scene selection, raise/lower, off for an area
- Suitable for standard single or multi-gang NEMA wall box
- Line voltage (120-277VAC) powered with no batteries to replace for simple new or retrofit installations
- Numbered buttons provide zone configuration capabilities
- Configurable through software - no physical adjustments
- WaveLinX LITE is DLC Listed for interior applications - meeting the NLC5 Technical Requirements

\*T24 and RoHS are self-tested by Cooper Lighting Solutions. Not a third party certification.

## Order Information

WaveLinx LITE Wallstations are accessories to the WaveLinx LITE (WLC) system which may be commissioned via the WaveLinx LITE mobile application. WaveLinx LITE devices are not currently compatible with the WaveLinx Wireless Area Controller.

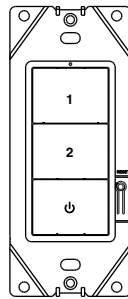
Catalog Number

### Standard Wallstation Configurations

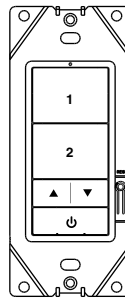
Catalog Number	Description
<b>WWL3-W</b>	WaveLinx LITE Wallstation, 3 Button, White
<b>WWL3-RL-W</b>	WaveLinx LITE Wallstation, 3 Button Raise / Lower, White
<b>WWL5-RL-W</b>	WaveLinx LITE Wallstation, 5 Button Raise / Lower, White
<b>Notes</b> WaveLinx LITE application required to customize programming for each button.	<b>Notes</b> Suitable for use with standard and Decora wallplates (not included). Complete wallstation - buttons are not field replaceable.

### Custom Engraved Wallstation Configurations

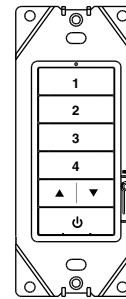
Catalog Number	Description
<b>WWL3-W-ENGRV</b>	WaveLinx LITE Wallstation, 3 Button, White, Custom Engraved
<b>WWL3-RL-W-ENGRV</b>	WaveLinx LITE Wallstation, 3 Button Raise / Lower, White, Custom Engraved
<b>WWL5-RL-W-ENGRV</b>	WaveLinx LITE Wallstation, 5 Button Raise / Lower, White, Custom Engraved
<b>Notes</b> WaveLinx LITE application required to customize programming for each button.	<b>Notes</b> Suitable for use with standard and Decora wallplates (not included). For custom engraving use the configurator tool within the FlashPro Program (CUST-ENGRV). Complete wallstation - buttons are not field replaceable.



WWL3-W



WWL3-RL-W



WWL5-RL-W

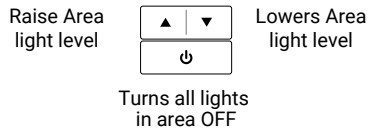
### Standard button engraving for each wallstation

#### Default engraving & light levels

<b>Button 1</b>	Scene 3 = 50%
<b>Button 2</b>	Scene 1 = 100%
<b>Button 3</b>	Scene 2 = 70%
<b>Button 4</b>	Scene 4 = 30%
<b>Raise press*</b>	Increase 1% (per press)
<b>hold*</b>	Increase 15% (per sec)
<b>Lower press*</b>	Decrease 1% (per press)
<b>hold*</b>	Decrease 15% (per sec)
<b>Power*</b>	Scene 0 = OFF

\* - affects all zones in area

#### Raise / Lower / OFF buttons



#### Button programming options via WaveLinx Lite Mobile Application

- Scene Selection
- Zone Level
- Raise Level
- Lower Level
- No Action

### Required Accessories

Download and register the WaveLinx LITE mobile application from either the Google Play or Apple Store. This mobile application can be used to form a lighting network - creating control zones, occupancy sets, setting occupancy or vacancy modes of operation, configuring daylighting, etc.



## Product Specifications

### Key Features

- Easy installation and flexibility:
  - Scene selection
  - Zone control
  - Area Raise / Lower
  - OFF
- Suitable for standard single or multi-gang NEMA wall box (wallplate not included)
- Mains (120-277VAC) powered for simple new or retrofit installations
- Clean, elegant, and simple way to control lighting on your project
- Settings are programmable through software, no physical adjustments necessary

### Mechanical

**Size:** 4.2"H x 1.8"W x 1.5"D (107mm x 45mm x 39mm)

#### Environment:

- **Operating temperature:** 32°F to 113°F (0°C to 45°C)
- **Storage temperature:** 32°F to 167°F ( 0°C to 75°C)
- **Relative humidity operating:** 5% to 95% non-condensing
- For indoor use only

**Mounting:** Standard decorator opening (wallplate not included)

**Color:** White

### Electrical

**Input power:** 120-277VAC 50/60Hz (neutral wire required)

**Input current:** 5mA @120V and 5mA @277V

### Hardware Specifications

#### Status Indicators:

- Single indicator LED
- LED functionality (active for 3 seconds after action)
  - Indication of wireless network join request
  - Indication of wireless network connection
  - Scene indication of operations

#### Button Configuration:

- 3 Button
- 3 Button with Raise / Lower
- 5 Button with Raise / Lower

### Software Specifications

- Each button programmable to trigger Scene or Zone
- Default values when joined to a network (area) via WaveLinx LITE application
- Models available with dominant button 50% light level
- Secure firmware upgrade OTA from mobile application

### Wireless Specifications

**Radio:** 2.4GHz

**Standard:** IEEE 802.15.1 - Bluetooth® 4.2 Low Energy (BLE)

**Transmitter Power:** +7dBm

**Range:** Device to device; 100ft (30m) LOS (best practice)

Note - metal wallplates will reduce wireless range

### System Performance

**Maximum number of nodes supported:** Best practice of 40 devices, maximum of 50 devices per commissioned network

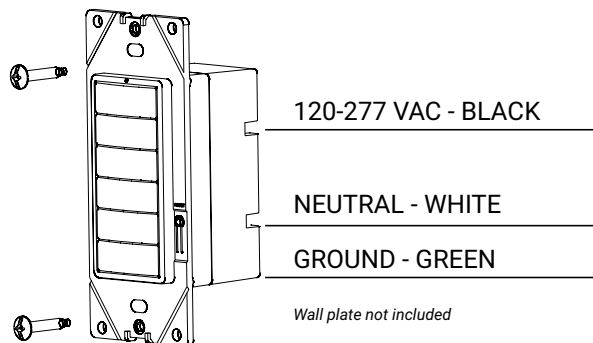
### Standards/Ratings\*

- cULus Listed - Energy Management Equipment (UL916)
- FCC Part 15, Subpart B & C
- Meets latest ASHRAE Standard 90.1 requirements
- Meets latest IECC requirements
- Meets latest CEC Title 24 requirements
- NEMA WD-7 and NEMA 4 compliant
- CA Title 20 and Prop 65 compliant
- RoHS
- WaveLinx LITE is DLC Listed for interior applications - meeting the NLC5 Technical Requirements

### Warranty

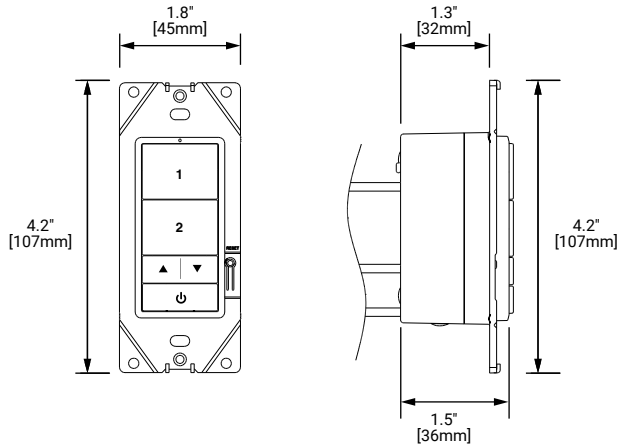
Five year warranty standard

## Installation

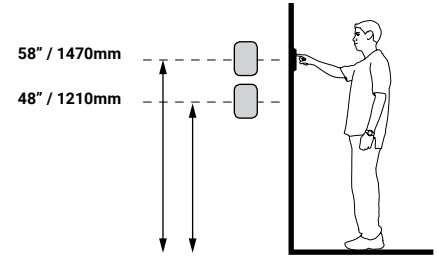


*Note: Use of ammonia based or VOC cleaners on this device must be avoided. Prolonged use may cause loss of integrity and expose electrified components. If this occurs, turn OFF power to the unit and replace.*

## Dimensional Details

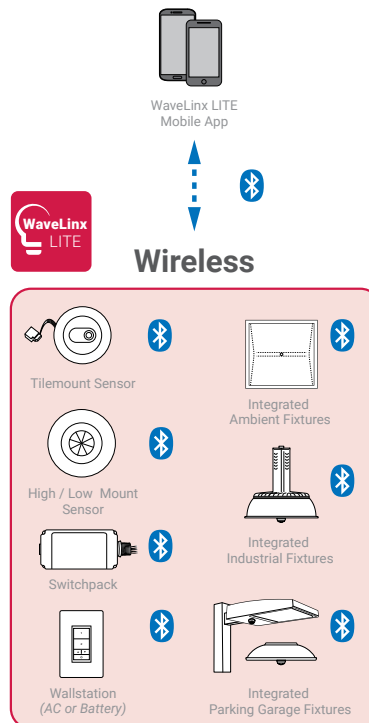


## Mounting Height



## System Diagram:

This diagram shows the the main components and topology of the WaveLinx system with LITE devices. The WaveLinx LITE devices use standardized IEEE 802.15.1 (Bluetooth® 4.2 Low Energy) mesh technology for device to device communications without the requirement of a gateway. The WaveLinx LITE enabled luminaires provide out-of-the-box functionality for independent operation when energized. With the use of the WaveLinx LITE mobile application with MyApps secure cloud portal access, groups of independent luminaires may be created and maintained with areas, control zones, and occupancy sets. WaveLinx LITE devices are not currently compatible with the WaveLinx Area Controller.



**Control Systems**  
• WaveLinx