

Industrial Vaportite LED

APVT / VT2 / VT3 / VT4S / VT4

Metalux



Industrial Vaportite LED

Metalux For over 50 years, the trusted indoor lighting solution partner for contractors and specifiers setting the quality and reliability that customers demand for every job. We provide our customers exceptional value by reducing costs and energy while improving productivity.

Click to go to section

Parking Garage Pg. 5

Complex Environments Pg. 9

Food Processing/Manufacturing Pg. 13

Warehouse Pg. 17

Canopy Pg. 21



Metalux

Vaportite LED comparison

Click to go to section

Pg. 19



Pg. 15



Pg. 3



Pg. 11



Pg. 7



		APVT	VT2	VT3	VT4S	VT4
APPLICABILITY¹	Canopy	★★	★★	★★		
	Storage	★★★	★★★	★★		
	Parking Garage	★★	★★	★★★		
	Warehouse	★★	★★★	★★★	★	★
	Food Processing	★	★★	★★★	★★	★★
	Manufacturing	★★	★★	★★	★★★	★★★
	Complex Environments		★	★★★	★★★	★★★
FEATURES / PERFORMANCE	Lumen Range	3,000 - 11,600	2,000 - 22,000	2,000 - 8,000	9,000 - 18,000	9,000 - 30,000
	Selectable	Lumens / CCT	N/A	N/A	N/A	N/A
	Efficacy (Max)	151 lm/W	150 lm/W	154 lm/W	165 lm/W	146 lm/W
	Distribution²	G	G, W	G, W, P	G	G
	Sizes	4', 8'	2', 4', 8'	2', 4'	2'	4'
	Housing	Polycarbonate	Fiberglass/Polyester	Fiberglass/Polyester	Fiberglass	Fiberglass
	Lensing	Polycarbonate	DR Acrylic or Polycarb	DR Acrylic or Polycarb	DR Acrylic or Polycarb	DR Acrylic or Polycarb
	Wet Location	Yes	Yes	Yes	Yes	Yes
	IP Rating	IP65	None	IP65, 66, 67	IP65, 66, 67, 69	IP65, 67
	NSF	None	Yes	Yes	Yes	Yes
	NEMA 4X	None	None	None	Yes	Yes
	Life (@60K hrs)	L89	L91	L91	L91	L92
	Ambient Range	-20C to 40C	-40C to 35C	-40C to 50C	-40C to 40C	-40C to 40C
Emergency	None	Yes	Yes	Yes	Yes	
Vandal Resistant	None	Optional	Optional	Optional	Optional	
DLC	Standard	Premium	Premium	Premium	Premium	
INTEGRATED CONTROLS	Basic Occupancy		✓	✓	✓	✓
	Stand Alone Daylight / Occupancy		✓	✓	✓	✓
	WaveLinx					
	LumaWatt Pro³					

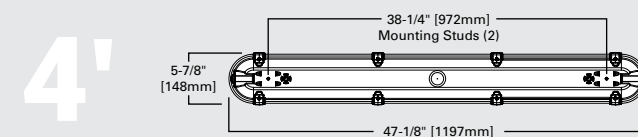
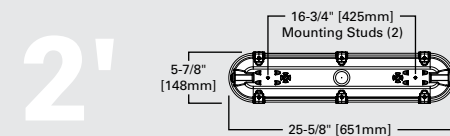
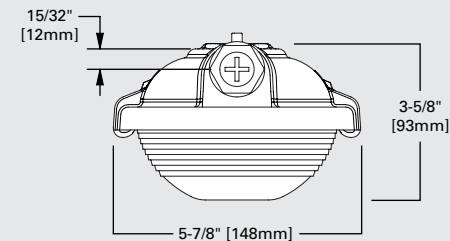
Notes: 1. ★★★ = high applicability, ★★ = medium applicability, ★ = low applicability, blank = non-applicable
 2. G=General, W=Wide, P=Parking Garage.
 3. Location data for asset tracking.

VT3 Vaportite LED



Click on product to learn more

Dimensions



The VT3 LED Series is an energy efficient industrial Vaportite fixture that features rugged and durable construction. The VT3 incorporates a sealed and gasketed, reinforced fiberglass housing with a high impact diffuser.

This VT3's optical performance is ideal for interior and exterior applications including parking garages, food processing, canopy, manufacturing and complex environments.

VT3 Vaportite LED

Construction

Compact and durable fiberglass reinforced polyester housing
High Impact polycarbonate optical lens
Sealed and gasketed
Suitable for interior and exterior applications
Surface or chain mounted

Performance

High-Performance efficacy up to 154 lm/W; DLC Premium qualified
Precision optics in general, wide, or parking garage distribution
Available in 2ft and 4ft, with lumen packages up to 8,000 lumens
IP67 Listed
NSF International certified for NSF/ANSI Standard 2 - Food Equipment
Wet Locations listed and can operate in -40°C to 55°C ambient ratings

Mounting



Distribution



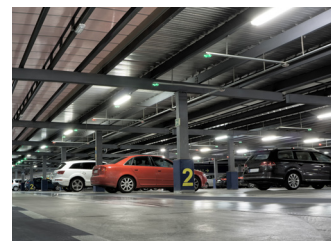
Compliance and approvals



Parking Garage

Parking garages that are commercially owned and operated as well as other parking facilities are the ideal retrofit opportunity to LED. These structures require unique lighting solutions because in many cases, these spaces operate 24 hours a day, 7 days a week. The lighting must provide safety while delivering glare-free illumination and have the performance to withstand weather elements, dust, moisture, and varying temperatures under extreme conditions.

Vaportites

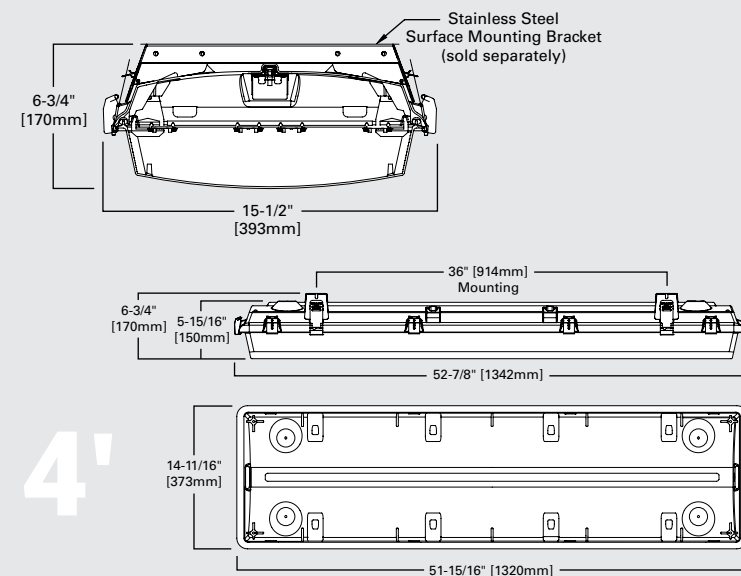


VT4 Vaportite LED



Click on product to learn more

Dimensions



The VT4 LED Series is an energy efficient industrial Vaportite fixture that features rugged and durable construction. The VT4 LED incorporates a full metal tray and heat sink inside a reinforced sealed and gasketed fiberglass housing with a high impact diffuser. This Vaportite series is suitable for interior and exterior applications and can be surface, chain, cable or stem mounted.

The VT4 LED Series has been designed for maximum operation in commercial institutional and industrial environments including cold storage, canopy, and general high bay lighting, where weathering, high temperature, humidity and dust are present.

VT4 Vaportite LED

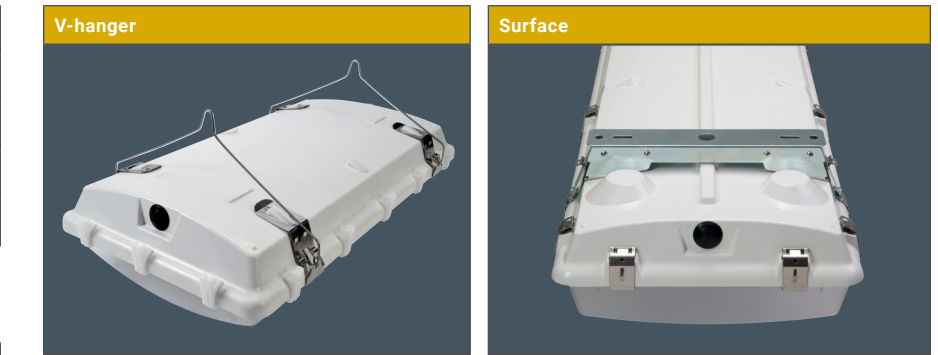
Construction

Durable fiberglass reinforced polyester housing
High Impact clear or frosted acrylic, or polycarbonate optical lens
Sealed and gasketed
Suitable for interior and exterior applications
Surface, chain, cable, or stem mounted

Performance

High-Performance efficacy up to 146 lm/W; DLC Premium qualified
Available in 3500K, 4000K and 5000K at 80 CRI
Available in 4ft, with lumen packages up to 30,000 lumens
IP65 and IP67 certified
NSF listed and NEMA 4x rated
Wet Locations listed and can operate in -40°C to 40°C ambient ratings

Mounting



Shielding



Compliance and approvals

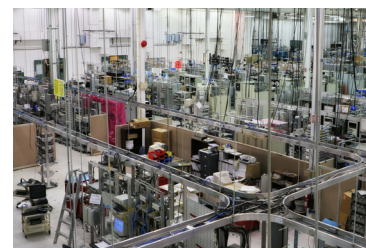


Complex Environments

Complex environments have a number of requirements that traditional LED lighting fixtures cannot meet. They expect their lighting fixtures to operate in a wide range of temperatures and environments, be able to withstand moisture as well as dust.

Vaportite LED lighting fixtures can meet these requirements by providing customers with UL wet location listed fixtures that also have IP65, IP66, and IP67 ratings. Another common request is the ability to withstand high pressure wash down which Vaportite LED lighting fixtures can meet.

Vaportites



VT4S Vaportite LED

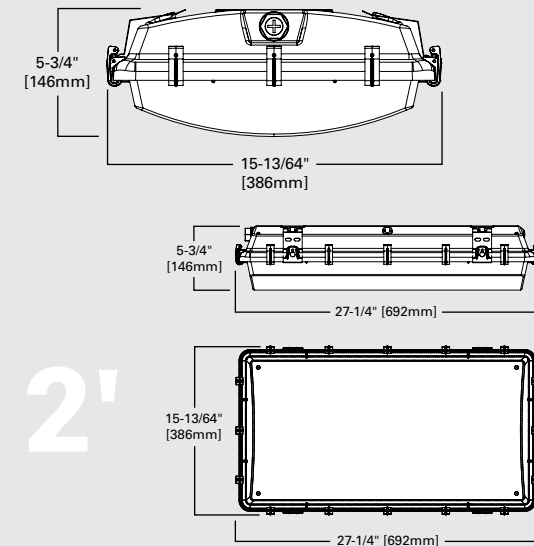
Click on product to learn more



The VT4S LED Series is an energy efficient industrial Vaportite fixture that features rugged and durable construction. The VT4S incorporates a sealed and gasketed, reinforced fiberglass housing with a high impact diffuser.

The VT4S's optical performance is ideal for interior and exterior applications including food processing, manufacturing, low bay and high bay applications, and complex environments.

Dimensions



VT4S Vaportite LED

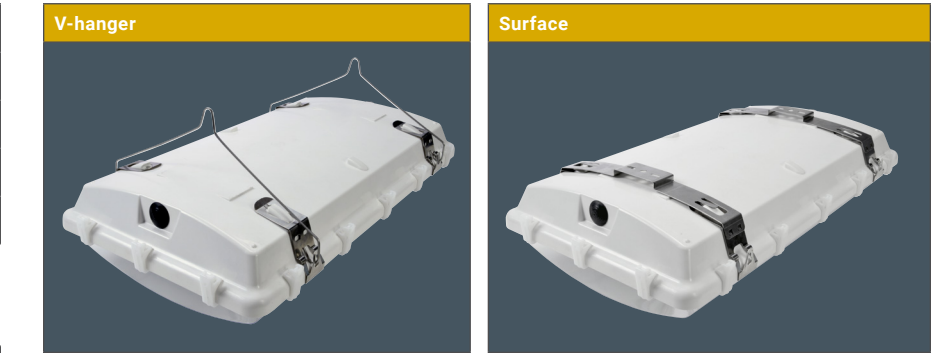
Construction

Compact and durable fiberglass reinforced polyester housing
Clear or Frosted lens made from acrylic or high impact polycarbonate
Stainless-steel latch option available
Suitable for interior and exterior applications
Surface, chain, cable, or monopoint mounted

Performance

High-Performance efficacy up to 157 lm/W; DLC Premium qualified
2ft housing delivers up to 18,000 lumens
Rated up to IP69 and NEMA 4X
NSF International certified for NSF/ANSI Standard 2 – Food Equipment
Wet Locations listed and can operate in -40°C to 40°C ambient ratings

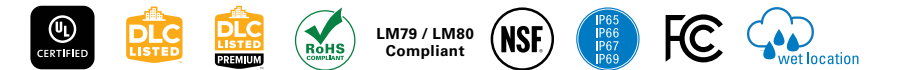
Mounting



Shielding



Compliance and approvals

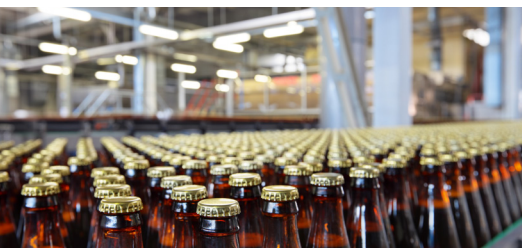


Food Processing/Manufacturing

Food processing and food manufacturing environments can be difficult, challenging environments for LED lighting due to the stringent requirements of those facilities. The Vaportite LED lights must deliver energy savings but also perform in a wet environment. The reason that customers in these environments choose Vaportite LED lights is because they must also be subject to rigorous cleaning procedures that standard lighting fixtures cannot meet.

Specifically in food processing, there can be no toxic chemicals in the lighting fixtures and they must be able to withstand corrosion without exposing contamination in the area. NSF certified Vaportite LED fixtures are designed to meet the needs of food processing facilities. For best cleaning and sterilization practices, choose Vaportite LED fixtures with NSF certification combined with IP65, IP66 and IP67 dust and water-resistance ratings.

Vaportites

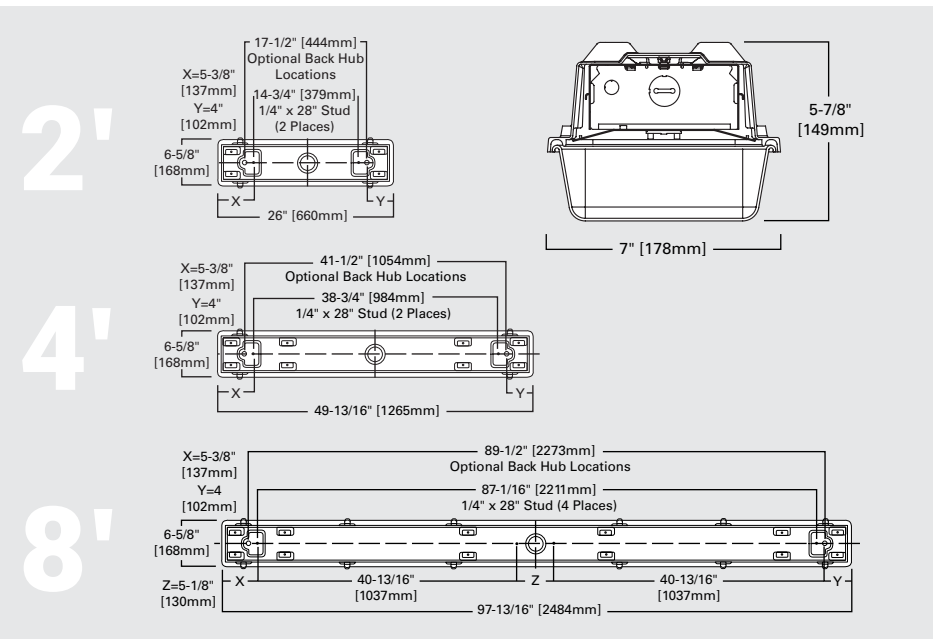


VT2 Vaportite LED



Click on product to learn more

Dimensions



The VT2 LED Series is an energy efficient industrial Vaportite featuring rugged and durable construction. The VT2 LED incorporates a full metal tray and heat sink inside a reinforced sealed and gasketed fiberglass housing with a high impact diffuser. The series is suitable for interior and exterior applications and can be surface, chain, cable or stem mounted.

The VT2 LED has been designed for maximum operation in commercial institutional and industrial environments and can operate in a wide range of temperatures (-40° C to 35°C) and is ideal for cold storage environments.

VT2 Vaportite LED

Construction

Durable fiberglass reinforced polyester housing
High Impact polycarbonate optical lens
Sealed and gasketed
Suitable for interior and exterior applications
Surface, chain, cable, or stem mounted

Performance

High-Performance efficacy up to 150 lm/W; DLC Premium qualified
Precision optics in medium or wide distribution
Available in 2ft, 4ft, and 8ft with lumen packages up to 22,000 lumens
NSF Listed
Wet Locations listed and can operate in -40°C to 35°C ambient ratings

Mounting



Compliance and approvals



Warehouse

Warehouses and distribution centers are large, vast spaces that can pose challenges to traditional LED lighting. Customers in these spaces are seeking lighting fixtures with lower watts per square foot to maximize energy savings. Not only do the lighting fixtures have to produce high lumen output at low wattages but they must be able to operate in a wide range of temperatures and environments.

Vaportite LEDs can meet these requirements by generating high efficacies while also being able to perform in extreme hot and cold temperatures.

Vaportites

-  **APVT**
-  **VT2**
-  **VT3**
-  **VT4**
-  **VT4S**

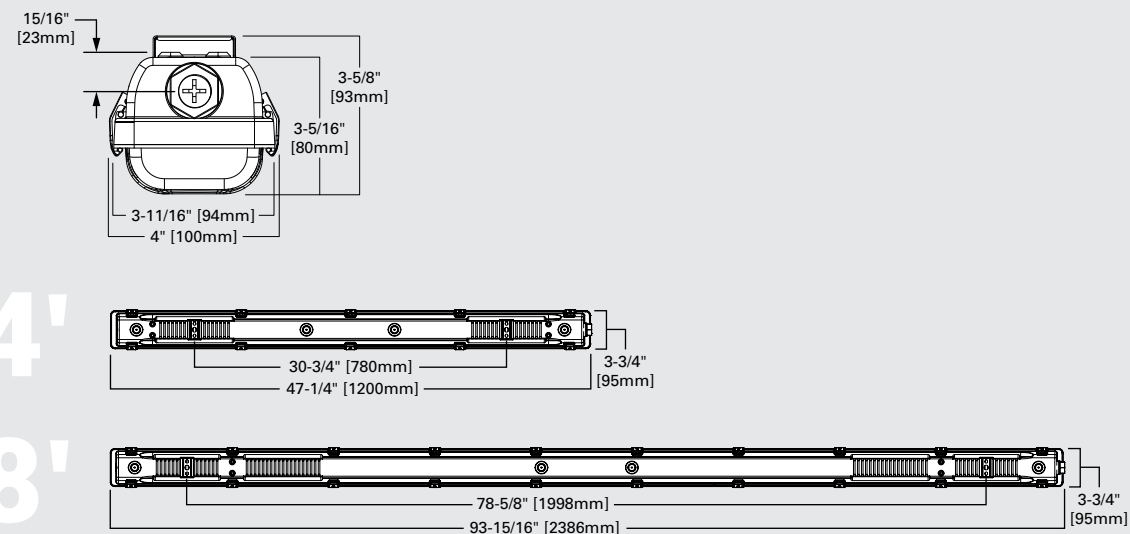


APVT Vaportite LED



Click on product to learn more

Dimensions



The APVT Vaportite LED Series is an energy efficient vaportite featuring Selectable Lumen and CCT. Its compact size, sealed and gasketed housing and 2-piece easy install design makes APVT fit for interior or exterior applications.

Versatile, in-stock, and distributor friendly, the APVT works in garages, canopy, warehouse, and light commercial spaces.

APVT Vaportite LED

Construction

IK08 optical lens, polycarbonate housing and stainless steel latches
Two piece captive lens, electrical and housing enclosure
Available in 4ft and 8ft lengths
Suitable for interior and exterior applications

Performance

Lumen & CCT select option provide application versatility
Efficacy up to 151 lm/W, 0-10V dimming
4ft in 3,000/4,500/8,000 and 8ft in 8,000/10,000/12,000 lumen packages
Can operate in -20°C to 40°C ambient ratings

Compliance and approvals



Product Features



Canopy

Canopy applications require outdoor lighting fixtures that are durable. They must provide not only high efficiency lighting with significant energy savings but be able to withstand the harsh elements of being outdoors.

Vaportite LED fixtures meet these needs with their rugged housing as well as their sealed and gasketed construction. These fixtures can withstand extreme variances in temperatures (hot and cold) as well as moisture, humidity, and dust. They also have high impact lenses which are resistant to breaks and vandalism.

Vaportites



Lighting Brands

Ametrix
AtLite
Corelite
Ephesus
Fail-Safe
HALO
HALO Commercial
Invue
IO
Iris
Lumark
Lumière
McGraw-Edison
Metalux
MWS
Neo-Ray
Portfolio
RSA
Shaper
Shaper PrentaLux - 3D Printed Lighting
Streetworks
Sure-Lites
Telensa

Controls Brands

Greengate
Fifth Light

Connected Lighting Systems

WaveLinx

IoT Platforms

Trellix



Cooper Lighting Solutions
1121 Highway 74 South
Peachtree City, GA 30269
P: 770-486-4800
www.cooperlighting.com

Canada Sales
5925 McLaughlin Road
Mississauga, Ontario L5R 1B8
P: 905-501-3000
F: 905-501-3172

© 2023 Cooper Lighting Solutions
All Rights Reserved
Printed in USA
Publication No. BR507012EN
March 27, 2023 9:58 AM

Cooper Lighting Solutions is a registered trademark.

All other trademarks are property of their respective owners.

Product availability, specifications, and compliances are subject to change without notice.