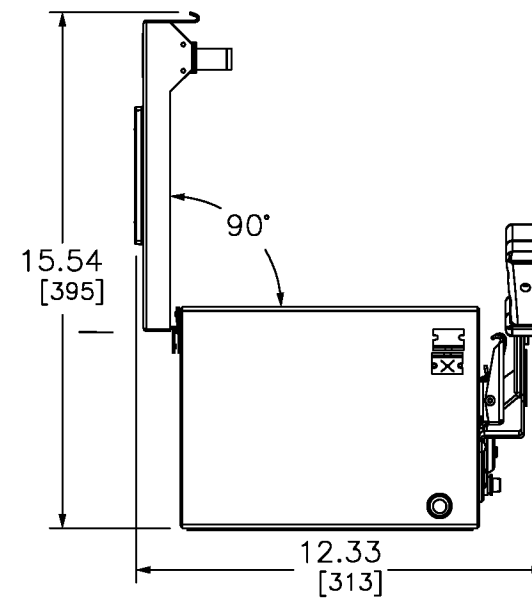
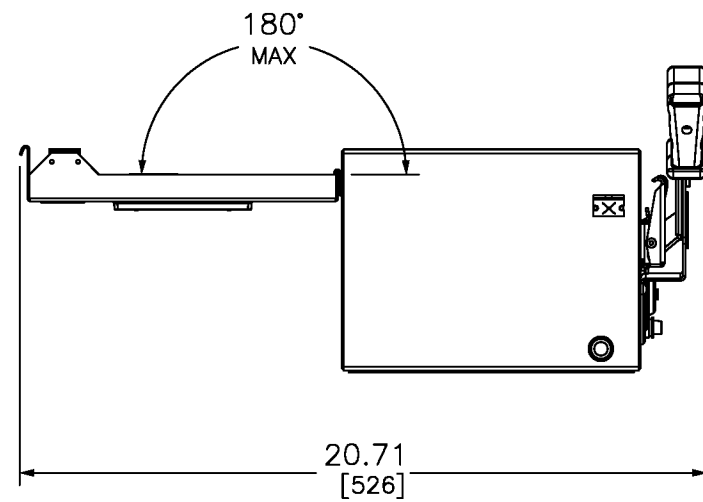
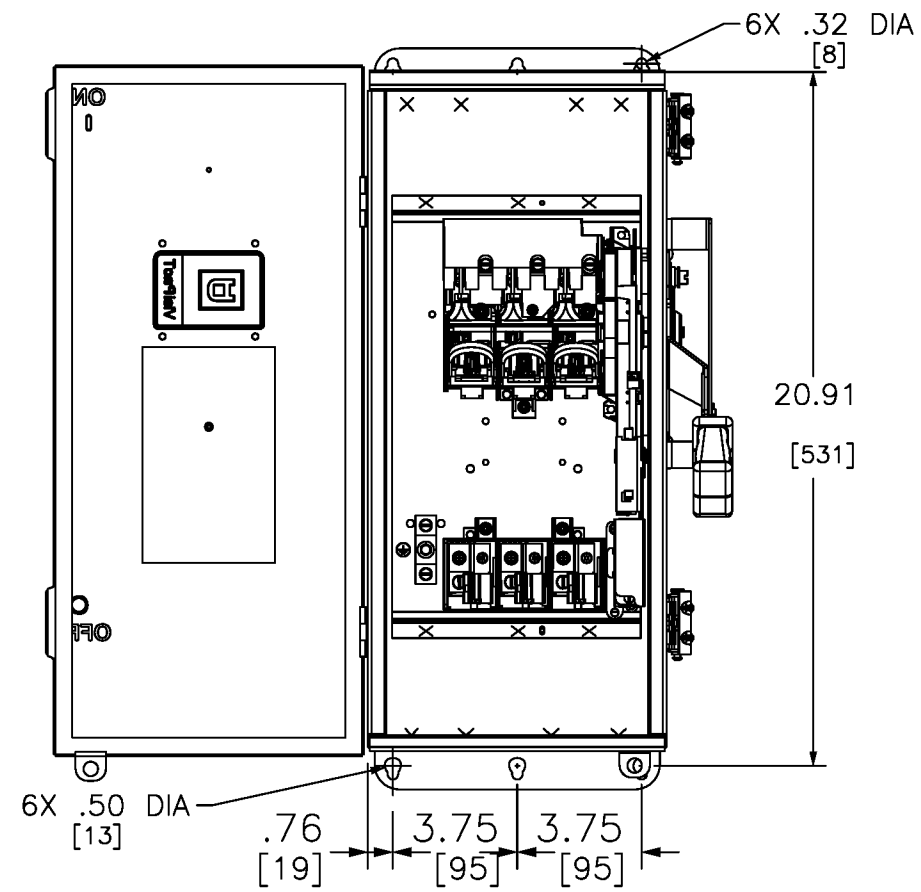


DUAL DIMENSIONS: INCHES  
MILLIMETERS

HEAVY DUTY SAFETY SWITCH  
VISIBLE BLADE TYPE  
100 AMPERE  
ENCLOSURE - NEMA TYPE 4X



DWG# VH223DSGL PG 1  
NO.



DUAL DIMENSIONS: INCHES  
MILLIMETERS

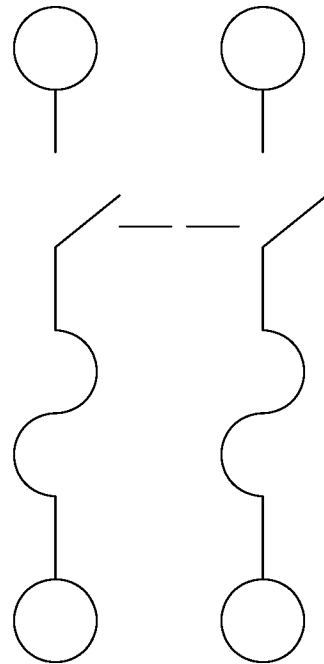
HEAVY DUTY SAFETY SWITCH  
VISIBLE BLADE TYPE  
100 AMPERE  
ENCLOSURE - NEMA TYPE 4X

**SQUARE D**™  
by Schneider Electric

DWG# VH223DSGL PG 2  
NO.

LINE SIDE

ACCEPTS: 12-1/0 AWG AL  
14-1/0 AWG CU



LOAD SIDE

ACCEPTS: 12-1/0 AWG AL  
14-1/0 AWG CU

CATALOG NUMBER	VOLTAGE RATING	AMPERAGE RATING	ENCLOSURE RATING
VH223DSGL	240 VAC 250 VDC	100A	TYPE 4X

HORSEPOWER RATINGS			
VOLTS	Ø	STD	MAX
*240V~	1	7.5	15
**240V~	3	15	30
*250V=	--	20	--

\*USE BOTH SWITCHING POLES

\*\*FOR CORNER GROUNDED DELTA ONLY, INSTALL NEUTRAL AND USE SWITCHING POLES FOR UNGROUNDED CONDUCTORS

ACCESORIES		
KIT	VOLTAGE	PART NUMBER
ELECTRICAL INTERLOCK	600V & 240V	EIK1, EIK2
CLASS R FUSE KITS	600V & 240V	RFK10
INTERNAL BARRIER	600V & 240V	SS10
FUSE PULLER	600V & 240V	JFPK0610
SOLID NEUTRAL ASSEMBLY	600V & 240V	SN0610 for Al SN0610C for Cu  FOR CANADA: CSN0610 for Al CSN0610C for Cu
EQUIPMENT GROUNDING KIT	600V & 240V	GTK0610 for Al GTK0610C for Cu
TOUCH UP PAINT	600V & 240V	PK49SP
LOCK OFF/ON	600V & 240V	LOGK2
COPPER LUGS	600V & 240V	CL10F
COMPRESSION LUGS	600V & 240V	VCEL02114S1 for Al VCELC02114S1 for Cu

NOTES:

FINISH - 304 STAINLESS STEEL

LUGS SUITABLE FOR 60~C OR 75~C AL-CU CONDUCTORS

SHORT CIRCUIT CURRENT RATINGS:

10,000 RMS SYMMETRICAL AMPERES WHEN USED IN CONJUNCTION WITH CLASS H OR K FUSES. 200,000 RMS SYMMETRICAL AMPERES WHEN USED IN CONJUNCTION WITH CLASS R, J OR T FUSES.

cULus LISTED - FILE E2875

SEISMIC NOTES:

USE (4) 1/4" DIA GRADE 5 STEEL MOUNTING BOLTS AT SWITCH MOUNTING HOLES. MAX CONFIGURED WEIGHT 22 LB FOR THE PURPOSE OF DETERMINING SEISMIC ANCHORAGE REQUIREMENTS. FOR ALL OTHER APPLICATIONS, CONTACT SQUARE D COMPANY.

HEAVY DUTY SAFETY SWITCH  
VISIBLE BLADE TYPE  
100 AMPERE  
ENCLOSURE - NEMA TYPE 4X

**SQUARE D**<sup>™</sup>  
by Schneider Electric

DWG# VH223DSGL PG 3  
NO.