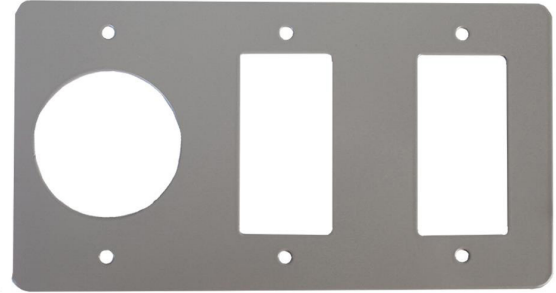




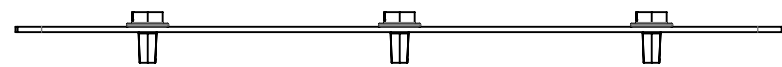
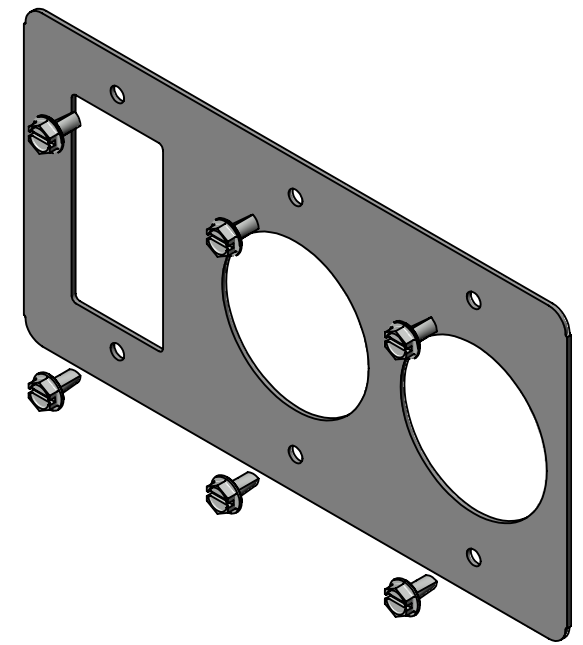
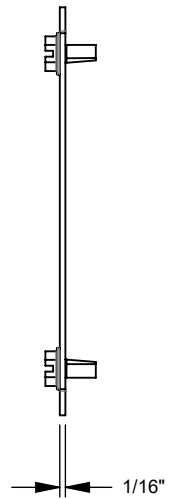
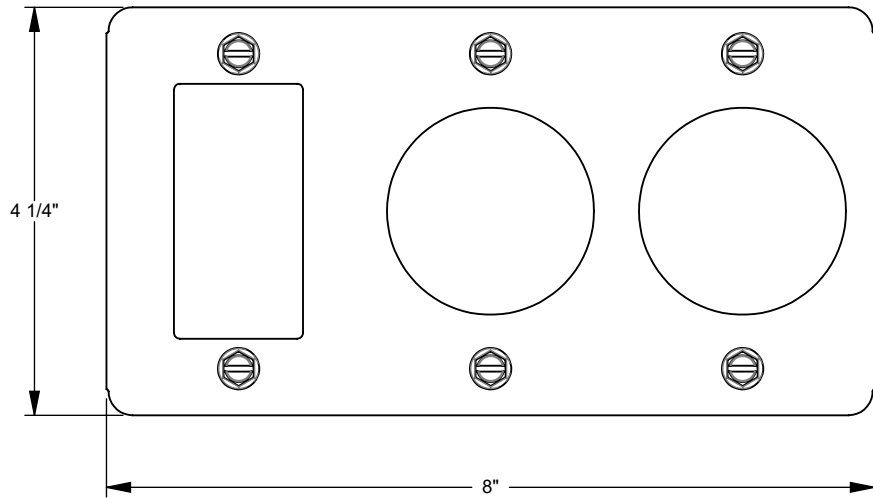
MILBANK
ENERGY AT WORK

K5920-522



Catalog Number	K5920-522
Marketing Product Description	Receptacle Face Plate Millennium 520 520 1450
UPC	784572583078
Length (IN)	8
Width (IN)	0.25
Height (IN)	4.125
Weight (LB)	0.426
Brand Name	Milbank
Type	Receptacle Cover Plate
Special Features	Two NEMA 5-20 and One NEMA 14-50 Receptacles
Application	Metering Accessory
Material	G90 Galvanized Steel
Finish	Powder Coat Finish
Shape	Rectangle
Size	8L x 0.25W x 4.125H
Number Of Outlet	3
Color	ANSI 61 Gray
Construction	Sheared
Mounting	Three Position Bridge Mount
NEMA Rating	No Rating

Please consult serving utility for their requirements prior to ordering or installing, as specifications and approvals vary by utility and may require local electrical inspector approval. All installations must be installed by a licensed electrician and must comply with all national and local codes, laws and regulations. Milbank reserves the right to make changes in specifications and features shown without notice or obligation.



Version:

1

All dimensions are +/- 1/16".
Drawing views are not to scale.

Please consult serving utility for their requirements prior to ordering or installing, as specifications and approvals vary by utility, and may require local electrical inspector approval. All installations must be installed by a licensed electrician and must comply with all national and local codes, laws and regulations. Milbank reserves the right to make changes in specifications and features shown without notice or obligation.