



Color: Bronze

Weight: 0.8 lbs

<b>Project:</b>	<b>Type:</b>
<b>Prepared By:</b>	<b>Date:</b>

Driver Info		LED Info	
Type	Constant Current	Watts	16/13/10W
120V	0.14A/0.12A/0.08A	Color Temp	3000/4000/5000K
208V	N/A	Color Accuracy	81-84 CRI
240V	N/A	L70 Lifespan	100,000 Hours
277V	0.06A/0.05A/0.04A	Lumens	1,468-2,353 lm
Input Watts	10.4-16.4W	Efficacy	131-150.6 lm/W

**Technical Specifications**

**Field Adjustability**

**Field Adjustable:**

Field Adjustable Light Output:  
16W/13W/10W (factory default 16W)  
Color temperature selectable 3000K, 4000K and 5000K (factory default 4000K)

**Compliance**

**UL Listed:**

Suitable for wet locations. Suitable for mounting within 4 ft of the ground.

**IESNA LM-79 & LM-80 Testing:**

RAB LED luminaires and LED components have been tested by an independent laboratory in accordance with IESNA LM-79 and LM-80.

**IP Rating:**

Ingress protection rating of IP65 for dust and water

**Trade Agreements Act Compliant:**

This product is a product of Cambodia and a "designated country" end product that complies with the Trade Agreements Act

**DLC Listed:**

This product is on the Design Lights Consortium (DLC) Qualified Products List and is eligible for rebates from DLC Member Utilities. Designed to meet DLC 5.1 requirements.  
DLC Product Code: S-P1Q64R

**Electrical**

**Driver:**

Constant Current, Class 1, 120/277V, 50/60 Hz  
16W: 120V: 0.14A, 277V: 0.06A  
13W: 120V: 0.12A, 277V: 0.05A  
10W: 120V: 0.08A, 277V: 0.04A

**THD:**

16W: 14.3% at 120V, 16.2% at 277V  
13W: 14.0% at 120V, 16.4% at 277V  
10W: 14.6% at 120V, 14.8% at 277V

**Power Factor:**

16W: 98.2% at 120V, 92.9% at 277V  
13W: 98.6% at 120V, 90.5% at 277V  
10W: 98.3% at 120V, 87.8% at 277V

**Surge Protection:**

2 kV

**Optical**

**NEMA Type:**

NEMA Beam Spread 7H x 7V

**LED Characteristics**

**LEDs:**

Long-life, high-efficacy, surface-mount LEDs

**Color Uniformity:**

RAB's range of Correlated Color Temperature follows the guidelines of the American National Standard for Specifications for the Chromaticity of Solid State Lighting (SSL) Products, ANSI C78.377-2017.

**Performance**

**Lifespan:**

100,000-Hour LED lifespan based on IES LM-80 results and TM-21 calculations

**Wattage Equivalency:**

16W: Replaces up to 70W Metal Halide (MH) or 70W High Pressure Sodium (HPS)  
13W: Replaces up to 70W Metal Halide (MH) or 50W High Pressure Sodium (HPS)  
10W: Replaces up to 70W Metal Halide (MH) or 50W High Pressure Sodium (HPS)

**Construction**

**Cold Weather Starting:**

The minimum starting temperature is -40°F (-40°C)

**Maximum Ambient Temperature:**

Suitable for use in up to 104°F (40°C)

**Housing:**

Die-cast aluminum

## Technical Specifications (continued)

**Lens:**

Glass

**Reflector:**

Polycarbonate

**Finish:**

Formulated for high durability and long-lasting color

**Green Technology:**

Mercury and UV free. RoHS-compliant components.

**Installation**

**Mounting:**

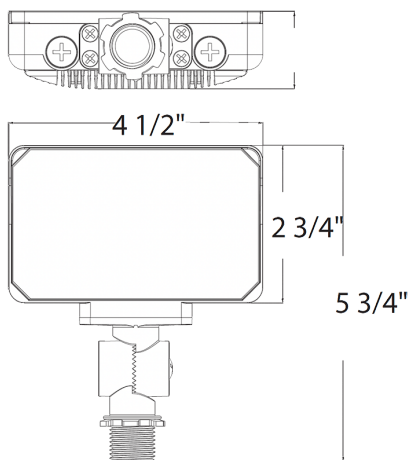
Knuckle arm mount

**Other**

**5-Year Limited Warranty:**

The RAB 5-year, limited warranty covers light output, driver performance and paint finish. RAB's warranty is subject to all terms and conditions found at [rablighting.com/warranty](http://rablighting.com/warranty).

## Dimensions



## Features

- 100,000-Hour LED lifespan
- IP65 Rated
- 5-Year, limited warranty

## Ordering Matrix

Family	Wattage	Mounting	Color Temp	Finish	Driver
X34	XS				
	XS = 16/13/10W S = 35/25/20W M = 65/55/45W	Blank = Knuckle	Blank = 3000/4000/5000K CCT Adjustable	Blank = Bronze W = White	Blank = 120V/277V