

# INSTALLATION INSTRUCTIONS

**IMPORTANT** : READ CAREFULLY BEFORE INSTALLING FIXTURE. RETAIN FOR FUTURE REFERENCE



**GENERAL:** Upon receipt of the fixture, thoroughly inspect for any freight damage which should be brought to the attention of the delivery carrier. Compare the catalog description listed on the packing slip with the fixture label on the housing to assure you have received the correct material.

**SAFETY:** This fixture must be wired in accordance with the National Electrical Code and applicable local codes and ordinances. Proper grounding is required to insure personal safety. Carefully observe grounding procedure under installation section.

**WARNING:** Make certain power is OFF before starting installation or attempting any maintenance. Risk of fire/electric shock. If not qualified, consult an electrician.

- RISK OF ELECTRIC SHOCK—Disconnect power at fuse or circuit breaker before installing or servicing
- RISK OF BURN—Disconnect power and allow fixture to cool before servicing
- RISK OF PERSONAL INJURY—Fixture may become damaged and/or unstable if not installed properly.
- DO NOT mount luminaire within 6" of a combustible surface. DO NOT handle luminaire by the glass. DO NOT touch LEDs.

**TOOLS REQUIRED:** Drill, drill bit 1/4" and 3/8", Phillips screwdriver, tape measure, 1/4" hex driver.

**MATERIAL NOT INCLUDED:** Wall anchors, mounting bolts.

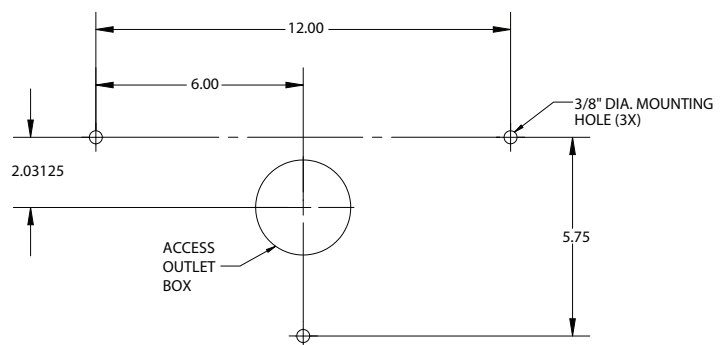
**FAILURE TO FOLLOW INSTRUCTIONS MAY RESULT IN SERIOUS INJURY OR DEATH**

**APPLICATIONS:**

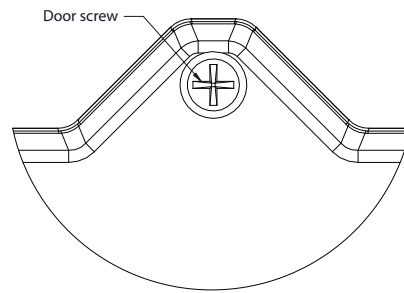
These luminaires are designed for outdoor, wet location services and should not be used in areas with limited ventilation or in high ambient temperature enclosures. Luminaire shall be wall mount only with hinge oriented on the lower side. Inverted mounting will cause overheating and possible water entry.

**INSTALLATION:**

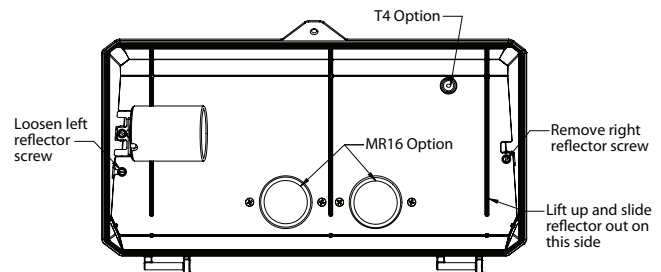
1. Use the dimensions **FIG. 1** on instruction sheet to locate and drill three mounting holes on the wall. Template shows location between center line of outlet box or conduit thru wall.
2. Using Phillips screwdriver, loosening door screw **FIG. 2**. Support door while it swings open.
3. If necessary, door may be removed by detaching chain and removing chain screw; rotating the door to approximately 100° from closed position to align the hinge and slide door out to the left. Do not force or rotate the door while sliding out as this will cause the hinges to break.
4. Loosen left reflector screw and remove the right reflector screw **FIG. 3**.
5. Remove reflector by lifting up and sliding out until it disengages from bottom left screw. Do not bend or scratch the reflector during removal process.



**FIG. 1**



**FIG. 2**



**FIG. 3**

These instructions do not claim to cover all details or variations in the equipment, procedure, or process described, nor to provide directions for meeting every possible contingency during installation, operation or maintenance. When additional information is desired to satisfy a problem not covered sufficiently for user's purpose, please contact your nearest representative.

**NOTE:** Specifications and dimensions subject to change without notice.

# INSTALLATION INSTRUCTIONS

**IMPORTANT** : READ CAREFULLY BEFORE INSTALLING FIXTURE. RETAIN FOR FUTURE REFERENCE

**NOTE:** For luminaire with two [2] compact fluorescent lamps [CFL], remove right side CFL socket bracket and clear it out of the way before removing reflector **FIG. 4**.

- If luminaire is equipped with back-up battery pack [EMB] option; remove two [2] EMB screws **FIG. 4**.
- If luminaire is equipped w/ T4 or MR16 Egress option, disconnect wiring for these lamps **FIG. 3**.

**6.** Ensure all electrical components and wiring are clear from area then drill three through holes using 1/4" drill bit **FIG. 5**.

**7.** Affix luminaire on the wall with anchors through three drilled holes/cast in knock outs [anchors provided by others].

**NOTE:** If CFL or LED luminaire equipped with EMB option, re-install EMB unit after securing luminaire on the wall.

**8.** Remove cover plate in housing by removing two [2] screws and remove cover plate knock-out **FIG. 5**.

**9.** Pull wires through cover plate knock out and make wiring connection inside the outlet box.

**10.** Connect ground supply lead to luminaire ground lead [Green lead]. Connect neutral supply lead to luminaire lead marked COM. Connect proper supply voltage lead to luminaire voltage lead. Re-install cover plate. Re-install reflector.

**NOTE:** Re-install right side CFL socket bracket for luminaire with two [2] CF lamps.

- Re-connect wirings if HID luminaire equipped with T4 or MR16 Egress option.

**11.** Re-install door by re-aligning hinges, re-attach door chain, rotate closed and tighten door screw until it comes to a stop.

### THRU-BRANCH WIRING FIG. 5-9:

1. Following instructions for removing door and reflectors following instruction above for specific luminaire type.
2. Remove only the required 1/2" NPT conduit plugs.
3. Repeat steps 1 through 7 on INSTALLATION instruction above.

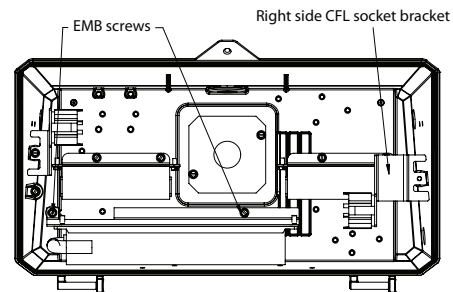


FIG. 4

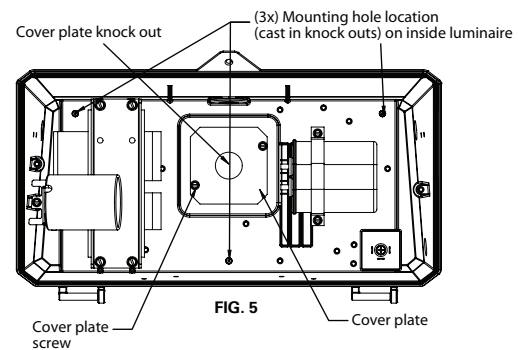


FIG. 5

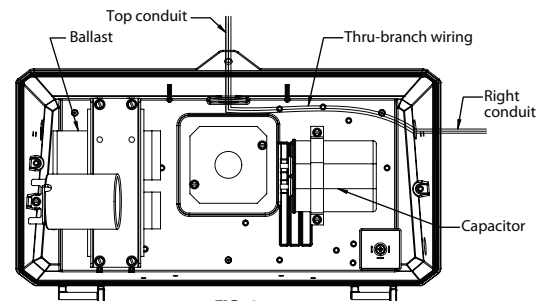


FIG. 6

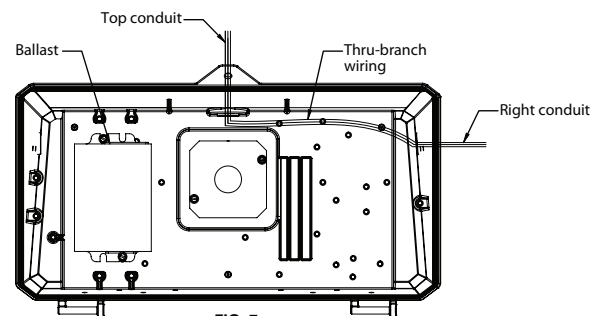


FIG. 7

These instructions do not claim to cover all details or variations in the equipment, procedure, or process described, nor to provide directions for meeting every possible contingency during installation, operation or maintenance. When additional information is desired to satisfy a problem not covered sufficiently for user's purpose, please contact your nearest representative.

**NOTE:** Specifications and dimensions subject to change without notice.

# INSTALLATION INSTRUCTIONS

**IMPORTANT** : READ CAREFULLY BEFORE INSTALLING FIXTURE. RETAIN FOR FUTURE REFERENCE

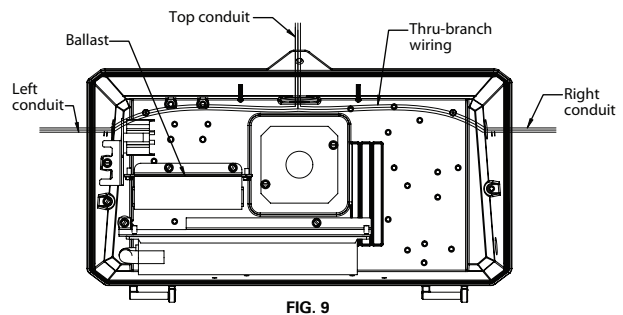
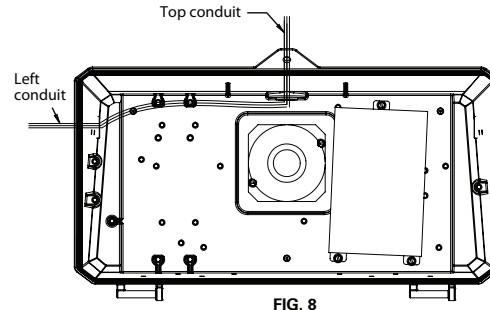
**NOTE:** Apply sealing compound or Teflon tape to end of pipe [provided by others]. Install conduit pipe. Route wires through inside luminaire housing and use wire ties and screws to restrain in position. Wires must be retained away from all electrical components with wire ties secured to interior bosses [wire ties & Taprite screws provided by others].

### RELAMPING INSTALLATION:

1. Using Phillips screwdriver, loosening door screw. Support door while it swings open.
2. Remove burn out lamp.
3. Verify that lamp source and wattage correspond with the luminaire label. Install new lamp securely into socket.
4. Rotate door to closed position and tightening door screw until it comes to a stop.

### MAINTENANCE:

**NOTE:** A regular maintenance schedule should be followed to retain optimal light output and thermal performance. Optical lens cleaning should be performed with a clean dry cloth to remove any dust or other contaminants. Additional cleaning can be performed with non-abrasive glass cleansing solution. Use care to ensure cleaning solutions do not contact LEDs.



These instructions do not claim to cover all details or variations in the equipment, procedure, or process described, nor to provide directions for meeting every possible contingency during installation, operation or maintenance. When additional information is desired to satisfy a problem not covered sufficiently for user's purpose, please contact your nearest representative.

**NOTE:** Specifications and dimensions subject to change without notice.