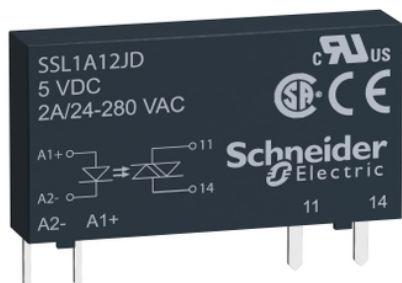


SSL1A12BD

Harmony, Solid state slim relay, 2 A, zero voltage switching, input 15...30 V DC, output 24...280 V AC



Main

| | |
|---------------------------|------------------------------|
| Range of Product | Harmony Solid State Relays |
| Product or Component Type | Solid state relay up to 10 A |
| Device short name | SSL |
| Phase | 1 phase |
| Output switching mode | DC switching |

Complementary

| | |
|-------------------------------------|---|
| Mounting Support | Socket |
| Line Rated Current | 2 A |
| Output voltage | 24...280 V AC |
| [Uc] control circuit voltage | 15...30 V DC |
| Capacitance unbalance | 1.5 pF input/output |
| Minimum switching voltage | 15 V DC turn-on |
| Maximum switching voltage | 10 V DC turn-off |
| Input current limits | 6 mA |
| Input impedance | 3500 Ohm |
| Solid state output type | Zero voltage switching SCR output |
| Load current | 0.07...2 A |
| Tansient Overvoltage | 600 V AC |
| Surge current | 120 A 16.6 ms 115 A 20 ms |
| Maximum voltage drop | <1.1 V on-state |
| Maximum I ² t for fusing | 66 A ² .S for 10 ms at 50 Hz 60 A ² .s for 8.3 ms at 60 Hz |
| Maximum leakage current | 4 mA off-state |
| DV/dt | 500 V/μs off-state at maximum voltage |
| Response time | 0.5 cycle (turn-on) 0.5 cycle (turn-off) |
| Overvoltage category | III |
| Width | 0.20 in (5 mm) |
| Height | 1.10 in (28 mm) |
| Depth | 0.59 in (15 mm) |
| Net Weight | 0.01 lb(US) (0.0041 kg) |

The information provided in this documentation contains general descriptions and/or technical characteristics of the performance of the products contained herein. This documentation is not intended as a substitute for and is not to be used for determining suitability or reliability of these products for specific user applications. It is the duty of any such user or integrator to perform the appropriate and complete risk analysis, evaluation and testing of the products with respect to the relevant specific application or use thereof. Neither Schneider Electric Industries SAS nor any of its affiliates or subsidiaries shall be responsible or liable for misuse of the information contained herein.

Environment

| | |
|---------------------------------------|---------------------------|
| Flame retardance | V0 conforming to UL 94 |
| Dielectric strength | 2500 V for input/output |
| Pollution degree | 2 |
| Product Certifications | UL CSA |
| Marking | CE |
| Ambient Air Temperature for Operation | -4...176 °F (-20...80 °C) |
| Ambient Air Temperature for Storage | -4...185 °F (-20...85 °C) |

Ordering and shipping details

| | |
|-----------------------|---------------------------------|
| Category | 22375-INTERFACE MODULE(ABA,R,S) |
| Discount Schedule | CP2 |
| GTIN | 3606480579721 |
| Nbr. of units in pkg. | 1 |
| Package weight(Lbs) | 0.18 oz (5.0 g) |
| Returnability | Yes |
| Country of origin | MX |

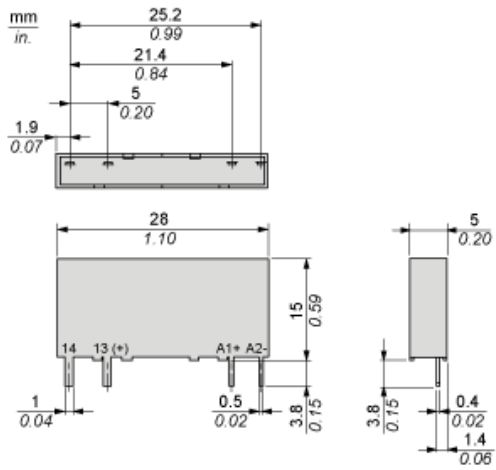
Packing Units

| | |
|------------------------------|-------------------------|
| Unit Type of Package 1 | PCE |
| Package 1 Height | 0.28 in (0.7 cm) |
| Package 1 width | 0.98 in (2.5 cm) |
| Package 1 Length | 14.57 in (37 cm) |
| Unit Type of Package 2 | S01 |
| Number of Units in Package 2 | 1080 |
| Package 2 Weight | 12.53 lb(US) (5.684 kg) |
| Package 2 Height | 5.91 in (15 cm) |
| Package 2 width | 5.91 in (15 cm) |
| Package 2 Length | 15.75 in (40 cm) |
| Unit Type of Package 3 | BB1 |
| Number of Units in Package 3 | 12 |
| Package 3 Weight | 2.15 oz (61.0 g) |
| Package 3 Height | 0.28 in (0.7 cm) |
| Package 3 width | 0.98 in (2.5 cm) |
| Package 3 Length | 14.57 in (37 cm) |

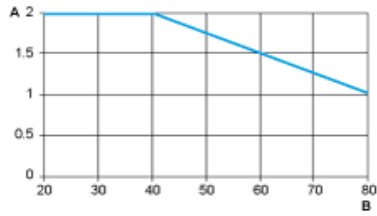
Offer Sustainability

| | |
|----------------------------|---|
| Sustainable offer status | Green Premium product |
| California proposition 65 | WARNING: This product can expose you to chemicals including: Lead and lead compounds, which is known to the State of California to cause cancer and birth defects or other reproductive harm. For more information go to www.P65Warnings.ca.gov |
| REACH Regulation | REACH Declaration |
| REACH free of SVHC | Yes |
| EU RoHS Directive | Pro-active compliance (Product out of EU RoHS legal scope) EU RoHS Declaration |
| Mercury free | Yes |
| RoHS exemption information | Yes |
| China RoHS Regulation | China RoHS Declaration |
| Environmental Disclosure | Product Environmental Profile |
| Circularity Profile | End Of Life Information |

Dimensions



Derating Curves



A : Load Current (Amperes)
B : Ambient Temperature (°C)