



Color: Black

Weight: 8.2 lbs

Project:

Type:

Prepared By:

Date:

Driver Info

Type	Constant Current
120V	0.67A
208V	0.40A
240V	0.34A
277V	0.30A
Input Watts	19.8-76.7W

LED Info

Watts	80W
Color Temp	3000K/3500K/4000K
Color Accuracy	93-95 CRI
L70 Lifespan	50,000 Hours
Lumens	2,619-10,687 lm
Efficacy	132.3-144.1 lm/W

Technical Specifications**Field Adjustability****Field Adjustable:**

Field Adjustable Light Output:
80W/56W/48W/40W/20W (factory default 80W)
Color Temperature Selectable:
3000K, 3500K and 4000K (factory default 4000K)

Compliance**UL Listed:**

Suitable for damp locations

IESNA LM-79 & LM-80 Testing:

RAB LED luminaires and LED components have been tested by an independent laboratory in accordance with IESNA LM-79 and LM-80.

DLC Listed:

This product is on the Design Lights Consortium (DLC) Qualified Products List and is eligible for rebates from DLC Member Utilities. Designed to meet DLC 5.1 requirements.
DLC Product Code: S-G9IVDP

Electrical**Driver:**

Constant Current, Class 2, 120-277V, 50/60 Hz:
80W: 120V: 0.67A, 208V: 0.40A, 240V: 0.34A, 277V: 0.30A
56W: 120V: 0.48A, 208V: 0.27A, 240V: 0.24A, 277V: 0.21A
48W: 120V: 0.40A, 208V: 0.24A, 240V: 0.20A, 277V: 0.18A
40W: 120V: 0.34A, 208V: 0.20A, 240V: 0.18A, 277V: 0.15A
20W: 120V: 0.17A, 208V: 0.10A, 240V: 0.09A, 277V: 0.08A

Dimming Driver:

Driver includes dimming control wiring for 0-10V dimming systems. Requires separate 0-10V DC dimming circuit. Dims down to 10%.

THD:

7.31% at 120V, 3.25% at 277V

Power Factor:

93.9% at 120V, 99.6% at 277V

Surge Protection:

2kV

Continuous Runs:

Maximum wattage for a continuous run should not exceed 600W

LED Characteristics**LEDs:**

Long-life, high-efficacy, surface-mount LEDs

Color Uniformity:

RAB's range of Correlated Color Temperature follows the guidelines of the American National Standard for Specifications for the Chromaticity of Solid State Lighting (SSL) Products, ANSI C78.377-2017.

Performance**Lifespan:**

50,000-Hour LED lifespan based on IES LM-80 results and TM-21 calculations

Performance Data:

[Click here for the BOA8 performance data](#)

Wattage Equivalency:

80W: Replaces up to (6) F32T8 or (3) F96T8
56W: Replaces up to (4) F32T8 or (2) F96T8
48W: Replaces up to (4) F32T8 or (2) F96T8
40W: Replaces up to (3) F32T8 or (1) F96T8
20W: Replaces up to (1) F32T8 or (1) F96T8

Construction**Cold Weather Starting:**

The minimum starting temperature is -20°C (-4°F)

Technical Specifications (continued)**Maximum Ambient Temperature:**

Suitable for use in up to 40°C (104°F)

Housing:

Aluminum

Mounting:

94" of aircraft cable provided with cable grippers for easy adjustment after installation

Lens:

Polycarbonate frosted flat lens

Reflector:

Polyethylene Terephthalate (PET)

Finish:

Formulated for high durability and long-lasting color

Green Technology:

Mercury and UV free. RoHS-compliant components.

Other

Note:

All values are typical (tolerance +/- 10%)

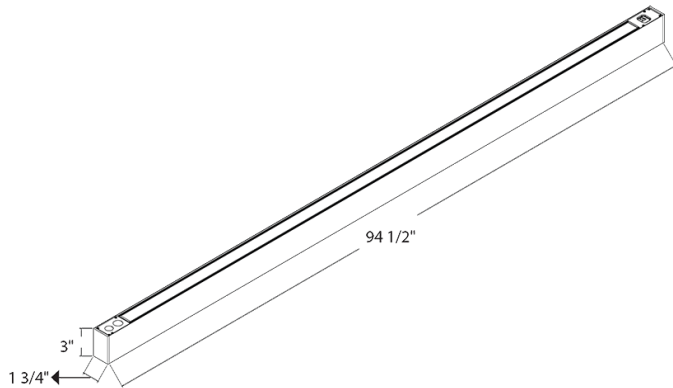
5 Yr Limited Warranty:

The RAB 5-year, limited warranty covers light output, driver performance and paint finish. RAB's warranty is subject to all terms and conditions found at rablighting.com/warranty.

Buy American Act Compliance:

RAB values USA manufacturing! Upon request, RAB may be able to manufacture this product to be compliant with the Buy American Act (BAA). Please contact customer service to request a quote for the product to be made BAA compliant.

Dimensions



Features

- 50,000-Hour LED lifespan
- 0-10V dimming
- 5-Year, limited warranty

Ordering Matrix

Family	Size (Wattages)	Mount	Lens	Light Output	Color Temp	Voltage	Finish	Options
BOA	8	P					B	
	4 = 4 ft (40/28/24/20/10W) 8 = 8 ft (80/56/48/40/20W) 2 = 2 ft (20/14/12/10/5W)	P = Pendant	Blank = Flat L = Louvers	Blank = Downlight	Blank = 3000K/3500K/4000K CCT Adjustable	Blank = 120-277V, 0-10V Dimming	B = Black S = Silver W = White	Blank = No Option /MVS = Microwave Occupancy Sensor /PIR = Passive Infrared Occupancy Sensor /LCBS = Lightcloud Blue Enabled w/PIR Sensor /LCBS/MVS = Lightcloud Blue Enabled w/MVS Sensor /E = Battery Backup ² /MVS/E = Microwave Occupancy Sensor w/Battery Backup ² /PIR/E = Passive Infrared Occupancy Sensor w/Battery Backup ² /LCBS/E = Lightcloud Blue Enabled w/PIR Sensor and Battery Backup ² /LCBS/MVS/E = Lightcloud Blue Enabled w/MVS Sensor and Battery Backup ²

¹ Only available on 4 ft and 8 ft models only