



High performance LED tall pack. Covers footprint of most HID Tall packs. Vandal resistant lens. Precision die-cast aluminum. 0-10V dimmable driver with 120-277V photocell.

Color: Bronze

Weight: 6.2 lbs

Project:	Type:
Prepared By:	Date:

Driver Info		LED Info	
Type	Constant Current	Watts	25W
120V	0.201A	Color Temp	4000K (Neutral)
208V	0.126A	Color Accuracy	73 CRI
240V	0.109A	L70 Lifespan	100,000 Hours
277V	0.096A	Lumens	2,517
Input Watts	23.8W	Efficacy	105.8 lm/W

Technical Specifications

Compliance

UL Listed:

Suitable for wet locations. Wall mount only.

IESNA LM-79 & LM-80 Testing:

RAB LED luminaires and LED components have been tested by an independent laboratory in accordance with IESNA LM-79 and LM-80.

Performance

Lifespan:

100,000-Hour LED lifespan based on IES LM-80 results and TM-21 calculations

LED Characteristics

LEDs:

Long-life, high-efficacy, surface-mount LEDs

Color Stability:

LED color temperature is warrantied to shift no more than 200K in color temperature over a 5-year period

Color Uniformity:

RAB's range of Correlated Color Temperature follows the guidelines of the American National Standard for Specifications for the Chromaticity of Solid State Lighting (SSL) Products, ANSI C78.377-2017.

Optical

BUG Rating:

B0 U3 G2

Construction

Ambient Temperature:

Suitable for use in up to -40°C (-40°F) to 40°C (104°F)

Cold Weather Starting:

Minimum starting temperature is -40°C (-40°F)

IP Rating:

Ingress protection rating of IP66 for dust and water

Thermal Management:

Superior thermal management with die-cast aluminum heatsink

Housing:

Precision die-cast aluminum

Refractor Lens:

High-impact, diffuse, UV-stabilized polycarbonate

Mounting:

Three (3) 1/2" NPS conduit entry points (2 sides for through-feed, and bottom), and drilling template for easy wall box mounting

Technical Specifications (continued)

Construction

Reflector:

High-gloss white aluminum

Gaskets:

High-temperature silicone gaskets

Finish:

Formulated for high durability and long-lasting color

Green Technology:

Mercury and UV free. RoHS-compliant components.

Electrical

Drivers:

Constant Current, Class 2, 550mA, 100-277V, 50-60Hz, 120V: 0.201A, 208V: 0.126A, 240V: 0.109A, 277V: 0.096A, Surge Protection: 6kV

Dimming Driver:

0-10V dimming driver standard for ultimate flexibility. Use as on/off or utilize the 0-10V DC dimming circuit for controls.

THD:

12.6% at 120V, 16.4% at 277V

Power Factor:

98.8% at 120V, 91.4% at 277V

Photocell:

Photocell is rated for 120V thru 277V. to disable, simply use the provide silicone rubber cap and cover.

Other

Warranty:

RAB warrants that our LED products will be free from defects in materials and workmanship for a period of five (5) years from the date of delivery to the end user, including coverage of light output, color stability, driver performance and fixture finish. RAB's warranty is subject to all terms and conditions found at rablighting.com/warranty.

Patents:

The design of WPTLED is protected by patents pending in US, Canada, China, Taiwan and Mexico

Equivalency:

Equivalent to 70W Metal Halide/50W HPS

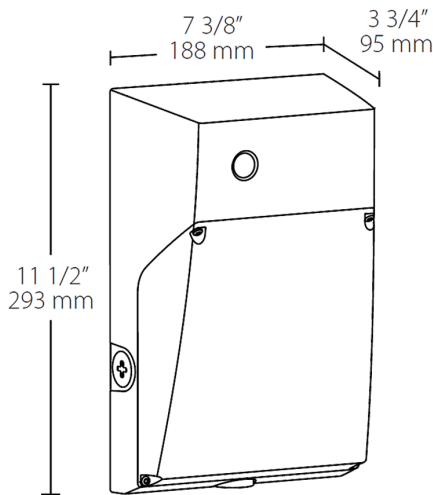
Trade Agreements Act Compliant:

This product is a product of Cambodia and a "designated country" end product that complies with the Trade Agreements Act

Buy American Act Compliance:

RAB values USA manufacturing! Upon request, RAB may be able to manufacture this product to be compliant with the Buy American Act (BAA). Please contact customer service to request a quote for the product to be made BAA compliant.

Dimensions



Features

- Covers footprints of most HID tall packs
- 0-10V dimmable driver & 120 - 277V photocell
- Vandal-resistant lens
- 100,000-Hour LED lifespan

Ordering Matrix

Family	Wattage	Color Temp	Finish	Dimming	Photocell	Lightcloud	Other Options
WPTLED	25	N		/D10	/PC2		
12 = 12W 25 = 25W 40 = 40W	Blank = 5000K Cool Y = 3000K Warm N = 4000K Neutral	Blank = Bronze W = White	/D10 = Dimmable	/PC2 = 120-277V Photocell	Blank = No Lightcloud® /LC = Lightcloud® Controller	Blank = Standard USA = BAA Compliant	