



Color: Bronze

Weight: 6.6 lbs

<b>Project:</b>	<b>Type:</b>
<b>Prepared By:</b>	<b>Date:</b>

Driver Info		LED Info	
Type	Constant Current	Watts	35/25/17W
120V	0.30A/0.21A/0.15	Color Temp	3000/4000/5000K
208V	0.17A/0.13A/0.09A	Color Accuracy	73-75 CRI
240V	0.15A/0.11A/0.08A	L70 Lifespan	100,000 Hours
277V	0.13A/0.09A/0.07A	Lumens	2,728-5,574 lm
Input Watts	18.7-39.1W	Efficacy	131.3-153 lm/W

**Technical Specifications**

**Field Adjustability**

**Field Adjustable:**

Field Adjustable Light Output:  
35W/25W/17W (factory default 35W)  
Color temperature selectable by 5000K, 4000K and 3000K

**Compliance**

**UL Listed:**

Suitable for wet locations

**Trade Agreements Act Compliant:**

This product is a product of Cambodia and a "designated country" end product that complies with the Trade Agreements Act

**DLC Listed:**

This product is listed by Design Lights Consortium (DLC) as an ultra-efficient premium product that qualifies for the highest tier of rebates from DLC Member Utilities. Designed to meet DLC 5.1 requirements.  
DLC Product Code: S-4568AI

**Electrical**

**Driver:**

Constant Current, Class 2, 120-277V, 50/60Hz:  
35W: 120V: 0.30A, 208V: 0.17A, 240V: 0.15A, 277V: 0.13A  
25W: 0.21A, 208V: 0.13A, 240V: 0.11A, 277V: 0.09A  
17W: 120V: 0.15A, 208V: 0.09A, 240V: 0.08A, 277V: 0.07A

**Dimming Driver:**

Driver includes dimming control wiring for 0-10V dimming systems. Requires separate 0-10V DC dimming circuit. Dims down to 10%.

**THD:**

2.85% at 120V, 6.55% at 277V

**Power Factor:**

99.5% at 120V, 92% at 277V

**Photocell:**

Integrated photocell included with on/off switch

**Performance**

**Lifespan:**

100,000-Hour LED lifespan based on IES LM-80 results and TM-21 calculations

**Wattage Equivalency:**

35W: Replaces up to 175W Metal Halide or 150W High Pressure Sodium  
25W: Replaces up to 125W Metal Halide or 100W High Pressure Sodium  
17W: Replaces up to 100W Metal Halide or 70W High Pressure Sodium

**LED Characteristics**

**LEDs:**

Long-life, high-efficacy, surface-mount LEDs

**Color Uniformity:**

RAB's range of Correlated Color Temperature follows the guidelines of the American National Standard for Specifications for the Chromaticity of Solid State Lighting (SSL) Products, ANSI C78.377-2017.

**Construction**

**Housing:**

Die-cast aluminum

**Lens:**

Glass

**Reflector:**

Specular aluminum

**Cold Weather Starting:**

The minimum starting temperature is -40°F (-40°C)

**Maximum Ambient Temperature:**

Suitable for use in up to 104°F (40°C)

**Green Technology:**

Mercury and UV free. RoHS-compliant components.

**Finish:**

Formulated for high durability and long-lasting color

**Technical Specifications (continued)**

**Installation**

**Mounting:**

Die-cast backbox with four (4) conduit entry points and knockout pattern for junction box or direct wall mounting. Hinged door for easy re-assembly.

**Optical**

**BUG Rating:**

35W: B0 U3 G3  
 25W: B0 U3 G2  
 17W: B0 U2 G2

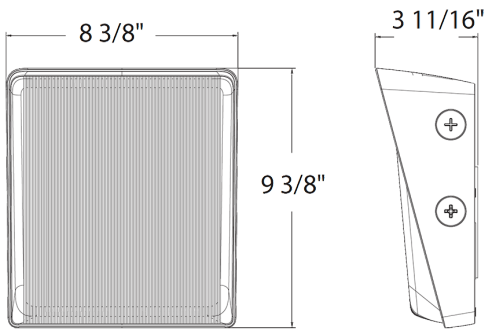
**Other**

**5-Year Limited Warranty:**

The RAB 5-year, limited warranty covers light output, driver performance and paint finish. RAB's warranty is subject to all terms and conditions found at [rablighting.com/warranty](http://rablighting.com/warranty).

\

**Dimensions**



**Features**

- 100,000-Hour LED lifespan
- 0-10V dimming standard
- 5-Year, limited warranty

**Ordering Matrix**

Family	Size (Wattage)	Color Temp	Finish	Driver	Options
W34	S				
	S = Small (35/25/17W) M = Medium (80/60/40W) L = Large (150/100/75W)	Blank = 3000/4000/5000K CCT Adjustable	Blank = Bronze	Blank = 120-277V, 0-10V Dimming	Blank = Integrated Photocell