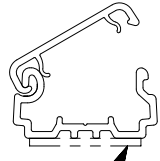


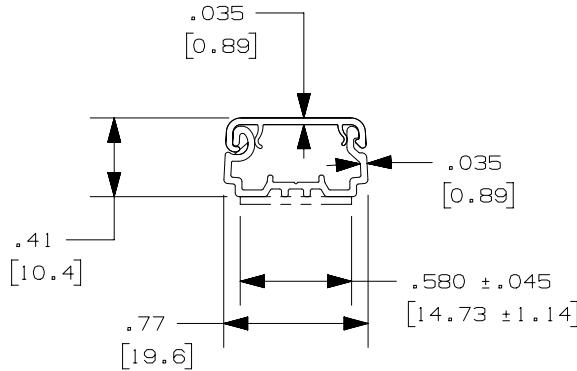
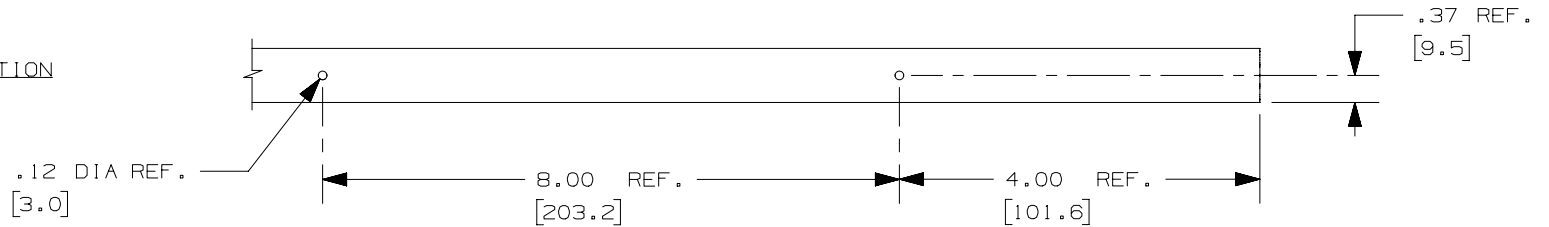
THIS COPY IS PROVIDED ON A RESTRICTED BASIS AND IS NOT TO BE USED IN ANY WAY DETRIMENTAL TO THE INTERESTS OF PANDUIT CORP.

PANDUIT PART NO.	LENGTH	WEIGHT
LDPH3**6-A	72.00 ±.18 [ 1828.8 ±4.6 ]	.04 LBS/FT [ .19 g/mm ]
LDPH3**8-A	96.00 ±.18 [ 2438.4 ±4.6 ]	
LDPH3**10-A	120.00 ±.18 [ 3048.0 ±4.6 ]	
LDPH3**2-A	78.74 ±.18 [ 2000.0 ±4.6 ]	



ADHESIVE BACKING

LDPH3\_OPEN POSITION



LDPH3\_CLOSED POSITION

NOTES:

- VISIT OUR ON-LINE CATALOG AT WWW.PANDUIT.COM FOR A LIST OF ADDITIONAL PART NUMBER SUFFIXES TO INDICATE COLOR AND/OR PACKAGE QUANTITY.
- PART IS DESIGNED TO SUPPORT MAXIMUM WEIGHT ON A CLEAN, DRY, SMOOTH SURFACE. THE SURFACE MUST BE PROPERLY PREPARED IN ACCORDANCE WITH PANDUIT RECOMMENDATIONS.
- PANDUIT RECOMMENDATIONS:
  - IT IS RECOMMENDED THAT PANDUIT ADHESIVE TAPE BE APPLIED ON SURFACES WHOSE TEMPERATURE IS APPROXIMATELY 70°F (21°C) OR HIGHER FOR THE INITIAL BOND.
  - THE OPTIMUM RECOMMENDED DWELL TIME PRIOR TO LOADING FOR RUBBER ADHESIVE IS TWO HOURS.
  - PANDUIT TAPE SHOULD BE APPLIED TO A CLEAN, DRY, GREASE-FREE SURFACE WITH SUFFICIENT PRESSURE TO ASSURE GOOD ADHESIVE CONTACT. AVOID ADHESIVE CONTAMINATION WITH FOREIGN MATERIAL BY CLEANING WITH AN ISOPROPYL ALCOHOL OR A DEGREASER.
- PRESSURE SENSITIVE FOAM .040 [1.0] THICK WITH PROTECTIVE LINER.
- TO APPLY PART:
  - REMOVE PROTECTIVE LINER.
  - PLACE PART IN DESIRED LOCATION.
  - APPLY PRESSURE TO FLAT SURFACE OF PART.
- NO WARRANTY, EXPRESSED OR IMPLIED, IS MADE BY PANDUIT WITH RESPECT TO ADHESIVE BOND PERFORMANCE. THE CONDITIONS UNDER WHICH THESE MOUNTS MAY BE APPLIED AND/OR THE SURFACE TO WHICH THEY ARE APPLIED ARE BEYOND PANDUIT'S CONTROL.
- DIMENSIONS IN METRIC ARE IN [ ].

PART NUMBER		LDPH3		
TITLE		HINGED LDPH3 RACEWAY		
ITEM REVISION NAME		CUSTOMER DRAWING		
DATASET FILE NAME		D38737B0/02		
		D38737B0_DC_LDPH3/02A		
		THIRD ANGLE PROJECTION		
MATERIAL		PVC		
DRAWING NUMBER		38737-14		
DRAWN BY	DATE	CHK	SCALE	SIZE
JBN	09-22-04	BKR	NONE	A

REV	DATE	BY	CHK	APR	DESCRIPTION	ECN
02A	6-28-21	BJN	BSN	BETL	UPDATED NOTES	38737-14

A-SIZE CUSTOMER