

## Main

|                                    |                     |
|------------------------------------|---------------------|
| Range                              | TeSys<br>TeSys Deca |
| Device short name                  | GV3AP               |
| Product or Component Type          | Rotary handle kit   |
| Accessory / separate part category | Control accessory   |
| Handle colour                      | Red                 |
| Handle front plate colour          | Yellow              |

## Complementary

|                              |                                |
|------------------------------|--------------------------------|
| Product Compatibility        | GV3L<br>GV3P                   |
| Rotary handle padlocking     | Padlock in OFF position        |
| Rotary handle mounting style | Extended                       |
| Locking options description  | 1 to 3 padlocks                |
| Back/door distance           | 7.44...11.81 in (189...300 mm) |
| Net Weight                   | 0.66 lb(US) (0.3 kg)           |

## Environment

|                         |      |
|-------------------------|------|
| IP degree of protection | IP54 |
|-------------------------|------|

## Ordering and shipping details

|                       |                                  |
|-----------------------|----------------------------------|
| Category              | 22367-MANUAL STR PROTECTOR - GV2 |
| Discount Schedule     | I11                              |
| GTIN                  | 3606480160967                    |
| Nbr. of units in pkg. | 1                                |
| Package weight(Lbs)   | 13.26 oz (376.0 g)               |
| Returnability         | Yes                              |
| Country of origin     | CZ                               |

## Packing Units

|                              |                         |
|------------------------------|-------------------------|
| Unit Type of Package 1       | PCE                     |
| Package 1 Height             | 2.56 in (6.5 cm)        |
| Package 1 width              | 3.54 in (9 cm)          |
| Package 1 Length             | 14.57 in (37 cm)        |
| Unit Type of Package 2       | S03                     |
| Number of Units in Package 2 | 12                      |
| Package 2 Weight             | 10.79 lb(US) (4.894 kg) |
| Package 2 Height             | 11.81 in (30 cm)        |
| Package 2 width              | 11.81 in (30 cm)        |
| Package 2 Length             | 15.75 in (40 cm)        |

## Offer Sustainability

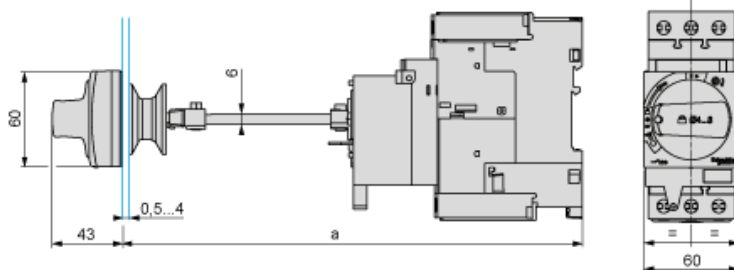
|                            |   |
|----------------------------|---|
| Sustainable offer status   | Green Premium product   |
| California proposition 65  | WARNING: This product can expose you to chemicals including: Antimony oxide & Antimony trioxide, which is known to the State of California to cause cancer. For more information go to <a href="http://www.P65Warnings.ca.gov">www.P65Warnings.ca.gov</a> |
| REACH Regulation           | <a href="#">REACH Declaration</a>   |
| EU RoHS Directive          | Compliant <a href="#">EU RoHS Declaration</a>   |
| Mercury free               | Yes   |
| RoHS exemption information | <a href="#">Yes</a>   |
| China RoHS Regulation      | <a href="#">China RoHS Declaration</a>  |
| Environmental Disclosure   | <a href="#">Product Environmental Profile</a>   |
| Circularity Profile        | <a href="#">End Of Life Information</a>   |
| WEEE                       | The product must be disposed on European Union markets following specific waste collection and never end up in rubbish bins.  |

## Contractual warranty

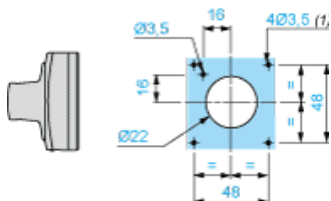
|          |           |
|----------|-----------|
| Warranty | 18 months |
|----------|-----------|

Mounting

Mounting of External Operator GV3APN01, GV3APN02 or GV3APN04 for Motor Circuit Breakers GV3L

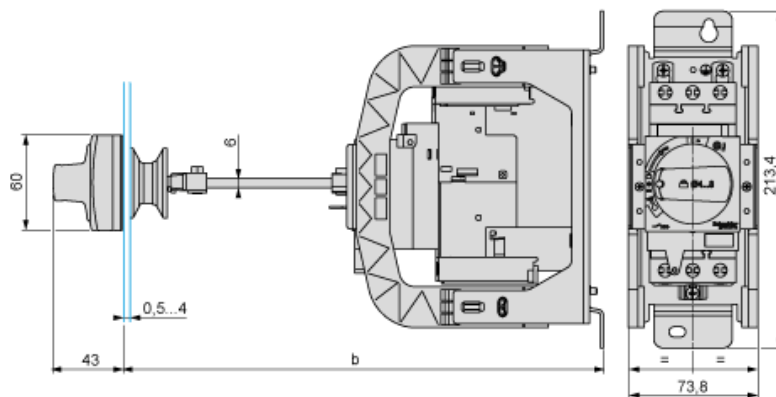


Door cut-out



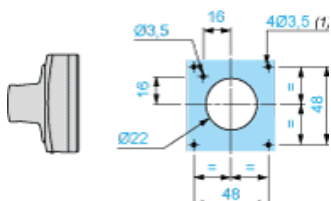
(1) For IP65 only.

Mounting of External Operator GVAPH03 for Motor Circuit Breakers GV3L



|                               | b       |         |
|-------------------------------|---------|---------|
|                               | Minimum | Maximum |
| GV3APN... + GVAPH03           | 200     | 300     |
| GV3APN... + GVAPH03 + GVAPK12 | 300     | 492     |

Door cut-out



(1) For IP65 only.