



## Main

Range of Product	Modicon X80
Product or Component Type	Discrete output module
Discrete output number	16 EN/IEC 61131-2
Discrete output type	Solid state
Discrete output logic	Positive
Discrete output voltage	24 V 19...30 V DC
Discrete output current	0.5 A

## Complementary

Current per channel	0.625 A
Maximum current per module	10 A
Maximum leakage current	0.5 mA at state 0
Maximum voltage drop	<1.2 V at state 1
Insulation resistance	> 10 MOhm 500 V DC
Power dissipation in W	4 W
Response time on output	1.2 ms
Paralleling of outputs	Yes : 2 maximum
Typical current consumption	79 mA 3.3 V DC
MTBF reliability	392285 H
Protection type	External fuse reverse polarity protection Short-circuit protection Overload protection Overvoltage protection
Output overload protection	With electronic circuit breaker $1.5 I_n < I_d < 2 I_n$ With current limiter
Output overvoltage protection	With transil diode
Output short-circuit protection	With 2 A external fuse
Reverse polarity protection	Reverse mounted diode
Voltage detection threshold	< 14 V DC preactuator fault > 18 V DC preactuator at state 0
Switching frequency	0.5/LI <sup>2</sup> Hz
Load impedance ohmic	> 48 Ohm
Status LED	1 LED (Green) module operating (RUN) 1 LED per channel (Green) channel diagnostic 1 LED (Red) module error (ERR) 1 LED (Red) module I/O
Net Weight	0.26 lb(US) (0.12 kg)

## Environment

IP Degree of Protection	IP20
Directives	2014/35/EU - low voltage directive 2014/30/EU - electromagnetic compatibility
Dielectric strength	1500 V AC 50/60 Hz 1 minute, output/ground 1500 V AC 50/60 Hz 1 minute, output/internal logic
Vibration resistance	3 gn
Shock resistance	30 gn

Ambient Air Temperature for Storage	-40...185 °F (-40...85 °C)
Ambient Air Temperature for Operation	32...140 °F (0...60 °C)
Relative humidity	5...95 % 131 °F (55 °C) without condensation
Operating altitude	0...6561.68 ft (0...2000 m) 2000...5000 m with derating factor

## Ordering and shipping details

Category	18160-MODICON M340
Discount Schedule	PC34
GTIN	3595863910469
Nbr. of units in pkg.	1
Package weight(Lbs)	5.64 oz (160.0 g)
Returnability	Yes
Country of origin	ID

## Packing Units

Unit Type of Package 1	PCE
Package 1 Height	2.19 in (5.56 cm)
Package 1 width	4.37 in (11.096 cm)
Package 1 Length	4.63 in (11.759 cm)
Unit Type of Package 2	S02
Number of Units in Package 2	15
Package 2 Weight	6.70 lb(US) (3.04 kg)
Package 2 Height	5.91 in (15 cm)
Package 2 width	11.81 in (30 cm)
Package 2 Length	15.75 in (40 cm)

## Offer Sustainability

Sustainable offer status	Green Premium product
California proposition 65	WARNING: This product can expose you to chemicals including: Lead and lead compounds, which is known to the State of California to cause cancer and birth defects or other reproductive harm. For more information go to <a href="http://www.P65Warnings.ca.gov">www.P65Warnings.ca.gov</a>
REACH Regulation	<a href="#">REACH Declaration</a>
REACH free of SVHC	Yes
EU RoHS Directive	Pro-active compliance (Product out of EU RoHS legal scope) <a href="#">EU RoHS Declaration</a>
Mercury free	Yes
RoHS exemption information	<a href="#">Yes</a>
China RoHS Regulation	<a href="#">China RoHS Declaration</a>
Environmental Disclosure	<a href="#">Product Environmental Profile</a>
Circularity Profile	<a href="#">End Of Life Information</a>
WEEE	The product must be disposed on European Union markets following specific waste collection and never end up in rubbish bins.

## Contractual warranty

Warranty	18 months
----------	-----------

Modules Mounted on Racks

Dimensions



(1) With removable terminal block (cage, screw or spring).

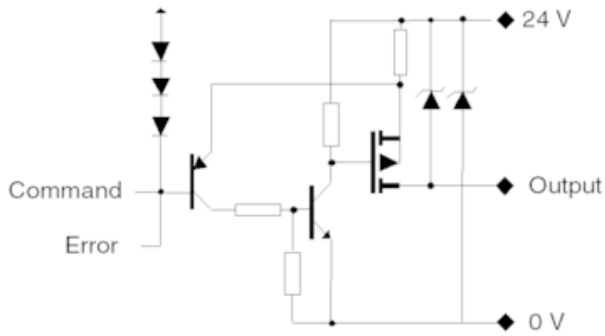
(2) With FCN connector.

(3) On AM1 ED rail: 35 mm wide, 15 mm deep. Only possible with BMXXBP0400/0400H/0600/0600H/0800/0800H rack.

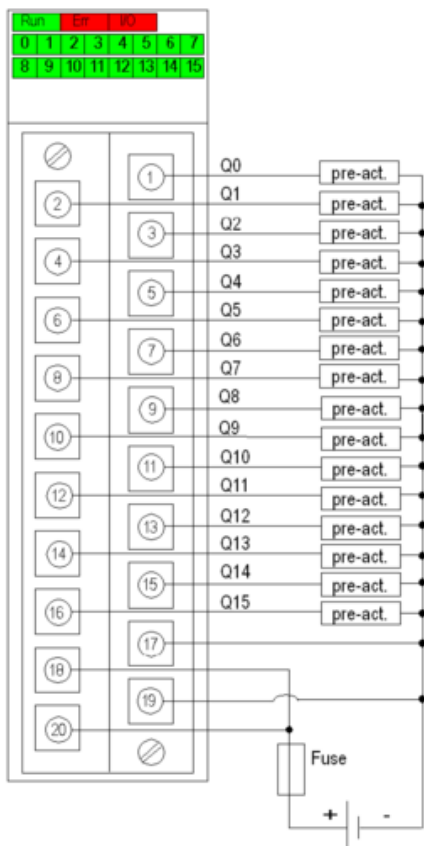
Rack references	a in mm	a in in.
BMXXBP0400 and BMXXBP0400H	242.4	09.54
BMXXBP0600 and BMXXBP0600H	307.6	12.11
BMXXBP0800 and BMXXBP0800H	372.8	14.68
BMXXBP1200 and BMXXBP1200H	503.2	19.81

Connecting the Module

Output Circuit Diagram



Module Connection



power supply 24 VDC  
fuse fast blow fuse of 6.3 A  
pre-act pre-actuator