

Project:

Type:

Prepared By:

Date:



UPC: 019813510385



Features and Benefits

- Replacement for traditional Metal Halide or High Pressure Sodium HID Lamps
- Produces 10% uplight
- Integral Driver enables lamp to be wired directly to line voltage without need for an external driver or ballast
- Rated for use in enclosed and open fixtures in dry or damp locations
- 4kV surge protection built in
- 50,000 hour Lifespan
- Environmentally friendly, no mercury used
- UL Listed, UL Classified, DLC Listed
- 5 Year No Compromise Warranty
- Lamp includes on board low-voltage AUX port for lamp level sensor accessories
- Compatible with RAB specified 0-10V dimming system

Technical Specifications

Performance

Product Type:

HID Replacement

Input Wattage:

115W

Lumens (Nominal):

15800lm

Efficacy:

137 lm/W

Color Accuracy (CRI):

80 CRI

L70 Lifespan:

50,000 Hours

Dimming:

Compatible with RAB specified 0-10V dimming system. Dimming capabilities were tested and verified on Legrand RH4FBL3PTC 0-10V dimming system.

Construction

Bulb Shape:

High Bay

Base Type:

EX39

Other

Equivalency:

400W HID

Warranty (Years):

RAB warrants that our LED products will be free from defects in materials and workmanship for a period of five (5) years from the date of delivery to the end user, including coverage of light output, color stability, driver performance and fixture finish. RAB's warranty is subject to all terms and conditions found at rablighting.com/warranty.

Electrical

Power Factor:

>0.9

Operating Temperature:

-30°C - 60°C

Input Voltage:

100-277V

Operating Frequency:

50/60 Hz

Installation

Installation Type:

Type B, Ballast Bypass

LED Characteristics

Color Temperature:

5000K Daylight

Technical Specifications (continued)

Installation

Installation Orientation:

Vertical

Electrical Characteristics

Input Current @ 120V:

1.27mA

Flicker:

<30%

THD:

<20%

Compliance

UL Listed:

Yes

UL Classified:

Yes

DLC Model Number:

H20012

CEC Status:

Lawful for sale in California

DLC Listed:

This product is on the Design Lights Consortium (DLC) Qualified Products List and is eligible for rebates from DLC Member Utilities. Designed to meet DLC 5.1 requirements.

DLC Product Code: PKZF23AH

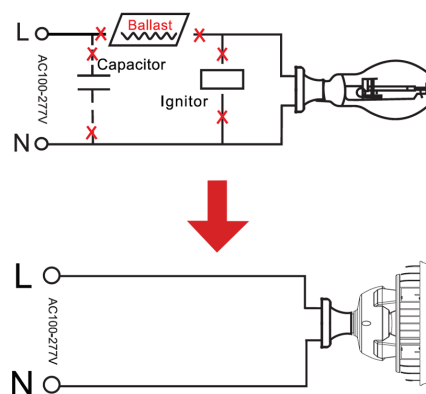
Minimum Compartment Size

Length x Width x Height [in]	Lamp Quantity
9.8 x 9.8 x 9.1	1

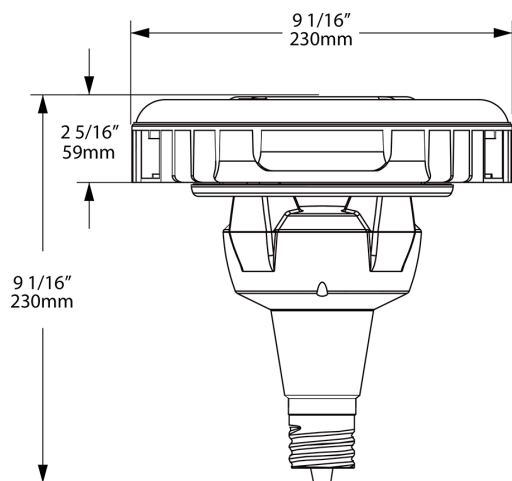
Case and Pallet Dimensions

	QTY	LENGTH (in)	WIDTH (in)	HEIGHT (in)
CASE	4	20.5	20.5	10
PALLET	16	22.4	42.9	44.9

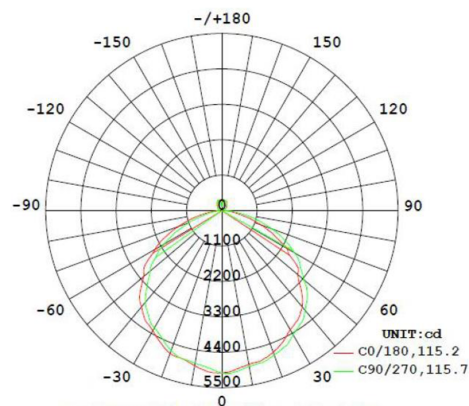
Wiring Diagram



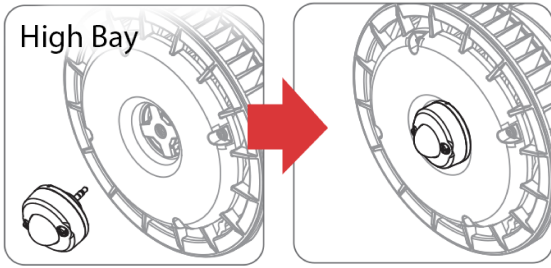
Dimension



Light Distribution



Sensor Installation



Compatible with:

- HID-60-V-EX39-8xx-BYP-HB-G2
- HID-80-V-EX39-8xx-BYP-HB-G2
- HID-115-V-EX39-8xx-BYP-HB-G2