



## Technical Specifications (continued)

### Construction

#### Finish:

Formulated for high durability and long-lasting color

#### Green Technology:

Mercury and UV free. RoHS-compliant components.

### Other

#### Warranty:

RAB warrants that our LED products will be free from defects in materials and workmanship for a period of five (5) years from the date of delivery to the end user, including coverage of light output, color stability, driver performance and fixture finish. RAB's warranty is subject to all terms and conditions found at [rablighting.com/warranty](http://rablighting.com/warranty).

#### Equivalency:

Equivalent to (3) F32T8

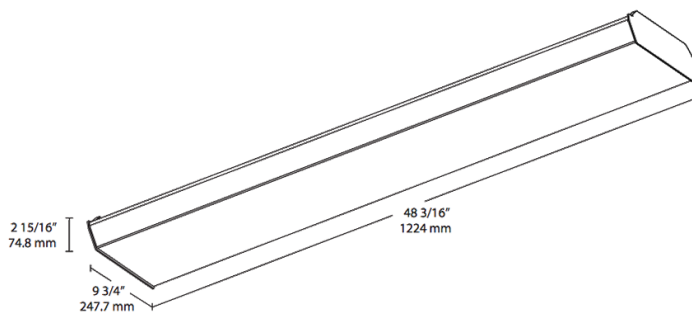
### Trade Agreements Act Compliant:

This product is a product of Cambodia and a "designated country" end product that complies with the Trade Agreements Act

### Buy American Act Compliance:

RAB values USA manufacturing! Upon request, RAB may be able to manufacture this product to be compliant with the Buy American Act (BAA). Please contact customer service to request a quote for the product to be made BAA compliant.

## Dimensions



## Features

- Energy-efficient, maintenance-free LED wrap fixture
- Multiple mounting options: surface, pendant or chain
- High-reflectance white finish for optimal output
- Diffusion wrap-around lens for smooth light distribution
- 0-10V dimming standard
- 100,000-Hour LED lifespan

## Ordering Matrix

Family	Size	Wattage	Color Temp	Finish	Driver Options
GUS	4	50		W	/D10
	4 = 4 feet 2 = 2 feet	18 = 18W (2 ft) 25 = 25W (2 ft) 36 = 36W (4 ft) 50 = 50W (4 ft)	Blank = 5000K Cool N = 4000K Neutral YN = 3500K Warm Neutral Y = 3000K Warm	W = White	/D10 = 0-10V Dimming /D10/E2 = 0-10V Dimming w/ Battery Backup /D10/LC = 0-10V Dimming w/ Lightcloud® Controller /D10/LC/E2 = 0-10V Dimming w/ Lightcloud® Controller and Battery Backup