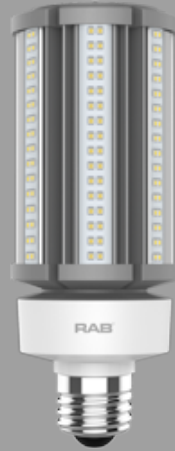


Project:

Type:

Prepared By:

Date:



UPC: 019813749099



Features and Benefits

- Replacement for traditional Metal Halide or High Pressure Sodium HID Lamps
- Active Cooling: Internal sensor overheat and engaged will automatically reduce output to 70% rated wattage until the sensor cools and will light up again to 100%
- Integral Driver enables lamp to be wired directly to line voltage without need for an external driver or ballast
- Rated for use in enclosed and open fixtures in dry or damp locations
- 4kV surge protection built in
- 50,000 hour Lifespan
- Environmentally friendly, no mercury used
- UL Listed, UL Classified
- Non-Dimmable
- 5 Year No Compromise Warranty

Technical Specifications

Performance

Product Type:

HID Replacement

Input Wattage:

45W

Lumens (Nominal):

6800lm

Efficacy:

151 lm/W

Color Accuracy (CRI):

80 CRI

L70 Lifespan:

50,000 Hours

Dimmable:

No

Construction

Bulb Shape:

Post Top

Base Type:

E26

Beam Angle:

360°

For Use Outdoors in Open Fixtures:

Yes

Other

Equivalency:

175W HID

Warranty (Years):

RAB warrants that our LED products will be free from defects in materials and workmanship for a period of five (5) years from the date of delivery to the end user, including coverage of light output, color stability, driver performance and fixture finish. RAB's warranty is subject to all terms and conditions found at rablighting.com/warranty.

LED Characteristics

Color Temperature:

4000K Cool White

Electrical

Power Factor:

0.9

Operating Temperature:

-30°C - 60°C

Input Voltage:

100-277V

Technical Specifications (continued)

Electrical

Operating Frequency:

50/60 Hz

Installation

Installation Type:

Type B, Ballast Bypass

Installation Orientation:

Universal Installation

Electrical Characteristics

Flicker:

<30%

THD:

<20%

Compliance

UL Listed:

Yes

UL Classified:

Yes

CEC Status:

Lawful for sale in California

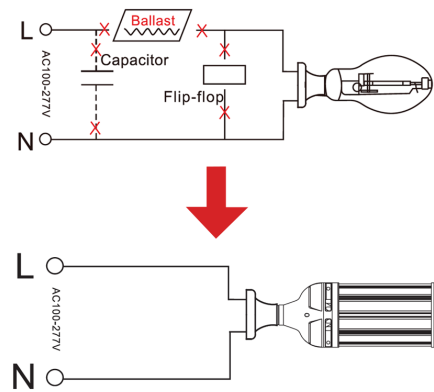
Minimum Compartment Size

Length x Width x Height [in]	Lamp Quantity
8.0 x 8.0 x 11.0	1

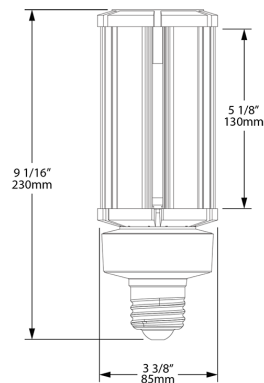
Case and Pallet Dimensions

	QTY	LENGTH (in)	WIDTH (in)	HEIGHT (in)
CASE	12	15.6	11.8	11.4
PALLET	432	37.4	33.1	39

Wiring Diagram



Dimension



Light Distribution

