



<b>Project:</b>	<b>Type:</b>
<b>Prepared By:</b>	<b>Date:</b>

Driver Info		LED Info	
Type	Constant Current	Watts	160/140/120W
120V	1.34A/1.19A/1.02A	Color Temp	3000/4000/5000K
208V	0.77A/0.68A/0.58A	Color Accuracy	83-86 CRI
240V	0.67A/0.60A/0.50A	L70 Lifespan	100,000 Hours
277V	0.60A/0.52A/0.46A	Lumens	17,458-24,168 lm
Input Watts	116.4-160.9W	Efficacy	133.9-165.3 lm/W

**Technical Specifications**

**Field Adjustability**

**Field Adjustable:**

Field Adjustable Light Output:  
160W/140W/120W (factory default 160W)  
Color temperature selectable 3000K, 4000K and 5000K (factory default 4000K)

**Compliance**

**UL Listed:**

Suitable for wet locations. Suitable for mounting within 4 ft of the ground.

**IESNA LM-79 & LM-80 Testing:**

RAB LED luminaires and LED components have been tested by an independent laboratory in accordance with IESNA LM-79 and LM-80.

**IP Rating:**

Ingress protection rating of IP65 for dust and water

**Trade Agreements Act Compliant:**

This product is a product of Cambodia and a "designated country" end product that complies with the Trade Agreements Act

**DLC Listed:**

This product is listed by Design Lights Consortium (DLC) as an ultra-efficient premium product that qualifies for the highest tier of rebates from DLC Member Utilities. Designed to meet DLC 5.1 requirements.  
DLC Product Code: S-AOKIJL

**Electrical**

**Driver:**

Constant Current, Class 1, 120-277V, 50/60 Hz  
160W: 120V: 1.34A 208V: 0.77A, 240V: 0.67A, 277V: 0.60A  
140W: 120V: 1.19A 208V: 0.68A, 240V: 0.60A, 277V: 0.52A  
120W: 120V: 1.02A 208V: 0.58A, 240V: 0.50A, 277V: 0.46A

**Dimming Driver:**

Driver includes dimming control wiring for 0-10V dimming systems. Requires separate 0-10V DC dimming circuit. Dims down to 10%.

**THD:**

160W: 3.1% at 120V, 5.9% at 277V  
140W: 3.0% at 120V, 8.6% at 277V  
120W: 2.7% at 120V, 10.4% at 277V

**Power Factor:**

160W:99.8% at 120V, 95.2% at 277V  
140W: 99.7% at 120V, 93.3% at 277V  
120W: 99.6% at 120V, 90.7% at 277V

**Photocell:**

Integrated photocell included with on/off switch

**Optical**

**NEMA Type:**

NEMA Beam Spread 7H x 7V

**LED Characteristics**

**LEDs:**

Long-life, high-efficacy, surface-mount LEDs

**Color Uniformity:**

RAB's range of Correlated Color Temperature follows the guidelines of the American National Standard for Specifications for the Chromaticity of Solid State Lighting (SSL) Products, ANSI C78.377-2017.

**Performance**

**Lifespan:**

100,000-Hour LED lifespan based on IES LM-80 results and TM-21 calculations

**Wattage Equivalency:**

160W: Replaces up to 750W Metal Halide (MH) or 400W High Pressure Sodium (HPS)  
140W: Replaces up to 750W Metal Halide (MH) or 400W High Pressure Sodium (HPS)  
120W: Replaces up to 750W Metal Halide (MH) or 400W High Pressure Sodium (HPS)

**Construction**

**Cold Weather Starting:**

The minimum starting temperature is -40°F (-40°C)

**Maximum Ambient Temperature:**

Suitable for use in up to 104°F (40°C)

## Technical Specifications (continued)

**Housing:**

Die-cast aluminum

**Tilt Increment:**

-90° to +90°

**Lens:**

Tempered glass

**Reflector:**

Polyethylene Terephthalate (PET)

**Effective Projected Area:**

EPA = 1.1

**Finish:**

Formulated for high durability and long-lasting color

**Green Technology:**

Mercury and UV free. RoHS-compliant components.

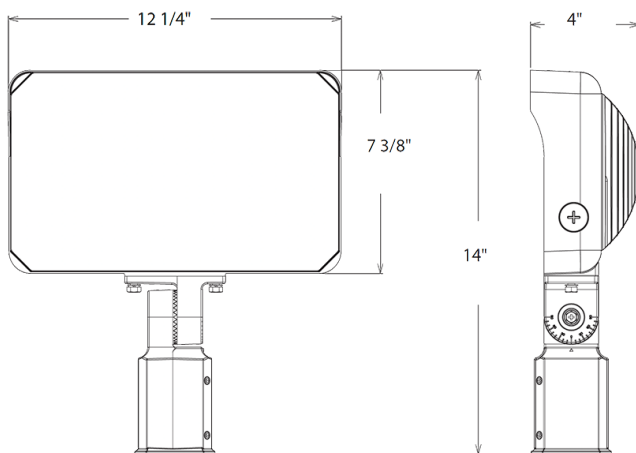
**Installation****Mounting:**

Slipfitter with tilt angle in 10° increments

**Other****5-Year Limited Warranty:**

The RAB 5-year, limited warranty covers light output, driver performance and paint finish. RAB's warranty is subject to all terms and conditions found at [rablighting.com/warranty](http://rablighting.com/warranty).

## Dimensions



## Features

- 100,000-Hour LED lifespan
- IP65 Rated
- 5-Year, limited warranty

## Ordering Matrix

Family	Wattage	Mounting	Color Temp	Finish	Driver	Options
X34	XXL			W		
	L = 90/80/70W XL = 130/110/95W XXL = 160/140/120W	Blank = Slipfitter T = Trunnion	Blank = 3000/4000/5000K CCT Adjustable	Blank = Bronze W = White	Blank = 120-277V, 0-10V Dimming	Blank = Selectable On/Off Photocell