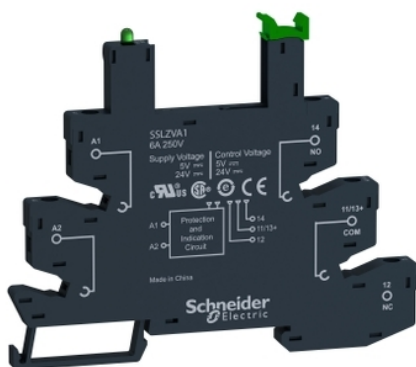


# SSLZVA1

Harmony, Socket equipped with LED and protection circuit, for SSL relays, screw connectors, 5/ 24 V DC



## Main

Range of Product	Harmony Solid State Relays
Product or Component Type	Socket for SSL1
Device short name	SSLZ
Sale per indivisible quantity	10

## Complementary

Contact terminal arrangement	Separate
Product compatibility	Solid state relay SSL NO 24 V DC Solid state relay SSL NO 5 V DC
Shape of pin	Flat
[I <sub>th</sub> ] conventional free air thermal current	6 A
[I <sub>th</sub> ] conventional free air thermal current	6 A
[U <sub>e</sub> ] rated operational voltage	< 250 V DC
Connections - terminals	Screw clamp terminals, 1 x 0.2...1 x 2.5 mm <sup>2</sup> AWG 24...AWG 14) solid without cable end Screw clamp terminals, 1 x 0.2...1 x 2.5 mm <sup>2</sup> AWG 24...AWG 14) flexible with cable end
Tightening torque	< 0.5 N.m M2.5
Fixing mode	Clip-on 35 mm DIN rail)
Switching voltage	5 V DC 24 V DC
Local signalling	For input status LED (green)
Width	0.24 in (6.2 mm)
Height	3.98 in (101 mm)
Depth	3.09 in (78.6 mm)
Net Weight	0.06 lb(US) (0.0285 kg)

## Environment

Flame retardance	V0 conforming to UL 94
Standards	IEC 61984
Product Certifications	CSA C22-2 No 14 UL 508
Marking	CE
Ambient Air Temperature for Storage	-40...185 °F (-40...85 °C)
Ambient Air Temperature for Operation	-40...158 °F (-40...70 °C)
IP Degree of Protection	IP20
Dielectric strength	2500 V

## Ordering and shipping details

Category	21127-ZELIO ICE CUBE RELAYS
Discount Schedule	CP2
GTIN	3606480580123
Nbr. of units in pkg.	1
Package weight(Lbs)	1.09 oz (31.0 g)
Returnability	Yes
Country of origin	CN

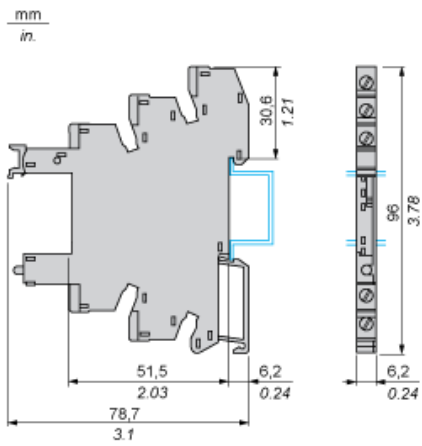
## Packing Units

Unit Type of Package 1	PCE
Package 1 Height	3.78 in (9.6 cm)
Package 1 width	0.24 in (0.62 cm)
Package 1 Length	3.11 in (7.9 cm)
Unit Type of Package 2	BB1
Number of Units in Package 2	10
Package 2 Weight	11.99 oz (340.0 g)
Package 2 Height	2.76 in (7 cm)
Package 2 width	3.39 in (8.6 cm)
Package 2 Length	4.06 in (10.3 cm)
Unit Type of Package 3	S03
Number of Units in Package 3	300
Package 3 Weight	20.28 lb(US) (9.2 kg)
Package 3 Height	11.81 in (30 cm)
Package 3 width	11.81 in (30 cm)
Package 3 Length	15.75 in (40 cm)

## Offer Sustainability

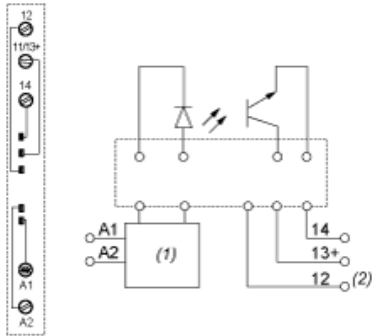
Sustainable offer status	Green Premium product
California proposition 65	WARNING: This product can expose you to chemicals including: Nickel compounds, which is known to the State of California to cause cancer, and Di-isodecyl phthalate (DIDP), which is known to the State of California to cause birth defects or other reproductive harm. For more information go to <a href="http://www.P65Warnings.ca.gov">www.P65Warnings.ca.gov</a>
REACH Regulation	<a href="#">REACH Declaration</a>
REACH free of SVHC	Yes
EU RoHS Directive	Pro-active compliance (Product out of EU RoHS legal scope) <a href="#">EU RoHS Declaration</a>
Toxic heavy metal free	Yes
Mercury free	Yes
RoHS exemption information	<a href="#">Yes</a>
China RoHS Regulation	<a href="#">China RoHS Declaration</a>
Environmental Disclosure	<a href="#">Product Environmental Profile</a>
Circularity Profile	<a href="#">End Of Life Information</a>

## Dimensions



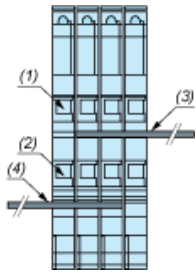
## Wiring Diagram

### Wiring Diagram for DC Output



- (1) Protection circuit
- (2) Terminal 12 is not in use for SSL Relay

### Example of RSLZ2 Bus Jumper Mounting on Sockets



- (1) A1
- (2) A2
- (3) Bus jumper polarity A1
- (4) Bus jumper polarity A2