



Small, general purpose lighting that's pocket friendly.

Color: Bronze

Weight: 0.7 lbs

Project:	Type:
Prepared By:	Date:

Driver Info		LED Info	
Type	Constant Current	Watts	15W
120V	N/A	Color Temp	5000K (Cool)
208V	N/A	Color Accuracy	85 CRI
240V	N/A	L70 Lifespan	50,000 Hours
277V	0.06A	Lumens	1,894
Input Watts	14.6W	Efficacy	129.7 lm/W

Technical Specifications

Compliance

UL Listed:

Suitable for wet locations. Suitable for ground mounting.

IESNA LM-79 & LM-80 Testing:

RAB LED luminaires and LED components have been tested by an independent laboratory in accordance with IESNA LM-79 and LM-80.

DLC Listed:

This product is on the Design Lights Consortium (DLC) Qualified Products List and is eligible for rebates from DLC Member Utilities. Designed to meet DLC 5.1 requirements.

DLC Product Code: PMBFZ8H7

Electrical

Driver:

Constant Current, 277V, 60 Hz, 277V: 0.06A

THD:

9.29% at 277V

Power Factor:

99.5% at 277V

Stepped Dimming:

Integrated/embedded revise Phase-Cut stepped luminance-level dimming control. Ten discrete dimming steps plus off and full on are accomplished by modification of the voltage, current, and wave form to produce varying light output. Controller is remote located from fixture or junction box, or can be located by the electrical panel.

Surge Protection:

2kV

Note:

All values are typical (tolerance +/- 10%)

Optical

NEMA Type:

NEMA Beam Spread of 7H x 7V

LED Characteristics

LEDs:

Long-life, high-efficacy, surface-mount LEDs

Color Uniformity:

RAB's range of Correlated Color Temperature follows the guidelines of the American National Standard for Specifications for the Chromaticity of Solid State Lighting (SSL) Products, ANSI C78.377-2017.

Performance

Lifespan:

50,000-Hour LED lifespan based on IES LM-80 results and TM-21 calculations

Construction

IP Rating:

Ingress protection rating of IP65 for dust and water

Technical Specifications (continued)

Construction

Cold Weather Starting:

Minimum starting temperature is -40°C (-40°F)

Maximum Ambient Temperature:

Suitable for use in up to 40°C (104°F)

Housing:

Die-cast aluminum

Mounting:

Robust knuckle mount with 180° adjustable swivel arm. Tilt angle in 10° increments.

Lens:

Tempered glass

Finish:

Formulated for high durability and long-lasting color

Green Technology:

Mercury and UV free. RoHS-compliant components.

Other

Equivalency:

Equivalent to 70W Metal Halide

5 Yr Limited Warranty:

The RAB 5-year, limited warranty covers light output, driver performance and paint finish. RAB's warranty is subject to all terms and conditions found at rablighting.com/warranty.

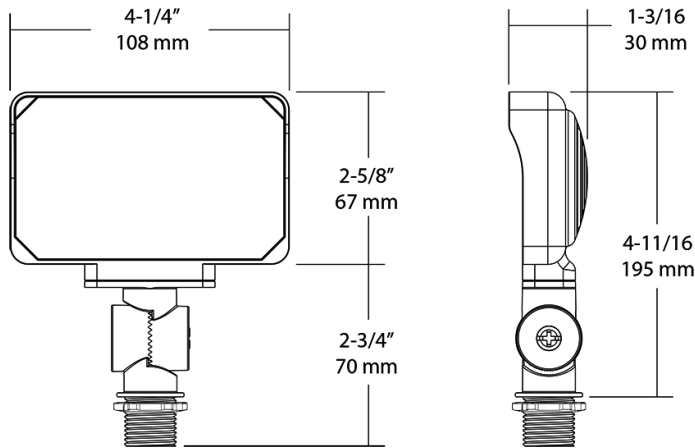
Trade Agreements Act Compliant:

This product is a product of Cambodia and a "designated country" end product that complies with the Trade Agreements Act

Buy American Act Compliance:

RAB values USA manufacturing! Upon request, RAB may be able to manufacture this product to be compliant with the Buy American Act (BAA). Please contact customer service to request a quote for the product to be made BAA compliant.

Dimensions



Features

- General purpose floodlight
- Very wide 7H x 7V NEMA distribution
- Low profile and lightweight
- IP65 rating protects against dust and water

Ordering Matrix

Family	Lumen Packages (values are nominal)	Mounting	CRI/Color Temp	Finish	Driver/Voltage
X34	16L				/277
	16L = 1,735 Lumens, 15W 25L = 2,950 Lumens, 25W 35L = 4,100 Lumens, 35W 55L = 6,300 Lumens, 55W 65L = 7,250 Lumens, 64W	Blank = Knuckle Mount	Blank = 80 CRI, 5000K -840 = 80 CRI, 4000K -830 = 80 CRI, 3000K	Blank = Bronze W = White	/120 = 120V /277 = 277V