



**Technical Specifications (continued)**

**LED Characteristics**

**Color Uniformity:**

RAB's range of Correlated Color Temperature follows the guidelines of the American National Standard for Specifications for the Chromaticity of Solid State Lighting (SSL) Products, ANSI C78.377-2017.

**Performance**

**Lifespan:**

100,000-Hour LED lifespan based on IES LM-80 results and TM-21 calculations

**Other**

**Warranty:**

RAB warrants that our LED products will be free from defects in materials and workmanship for a period of five (5) years from the date of delivery to the end user, including coverage of light output, color stability, driver performance and fixture finish. RAB's warranty is subject to all terms and conditions found at [rablighting.com/warranty](http://rablighting.com/warranty).

**Equivalency :**

Equivalent to 5W/T3

**Buy American Act Compliance:**

RAB values USA manufacturing! Upon request, RAB may be able to manufacture this product to be compliant with the Buy American Act (BAA). Please contact customer service to request a quote for the product to be made BAA compliant.

**Power Factor:**

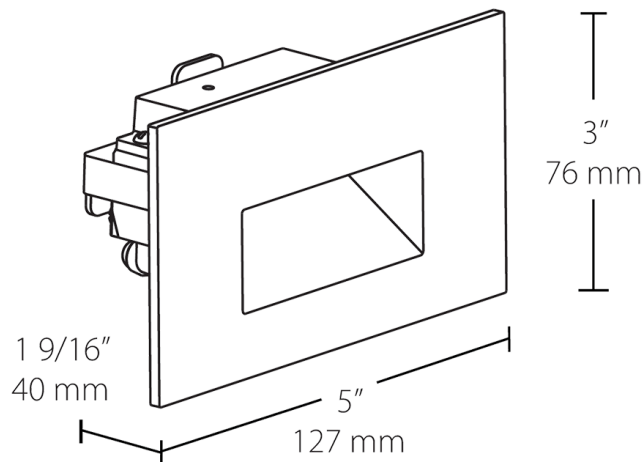
96.5% at 120V

**Electrical**

**THD:**

31.5% at 120V

**Dimensions**



**Features**

- Easy installation into a recessed 2" x 4" job
- Deep regress of light source eliminates glare
- Concealed hardware for a clean, sophisticated look
- Suitable for both indoor and outdoor use
- 5-Year, No-Compromise Warranty

**Ordering Matrix**

| Family | Orientation                    | Wattage | Color Temp   | Finish   | Voltage                    | Trim Options                                  |
|--------|--------------------------------|---------|--|--|----------------------------|---|
| FSLED  | H                              | 3       | YY   | W  | /120                       |   |
|        | H = Horizontal<br>V = Vertical | 3 = 3W  | N = 4000K Neutral<br>Y = 3000K Warm<br>YY = 2700K Residential Warm | Blank = Bronze<br>W = White<br>B = Black<br>S = Matte Silver | /120 = 120V<br>/277 = 277V | Blank = Surface Plate<br>/TL = Trimless Mount |