



U5220-XL-75

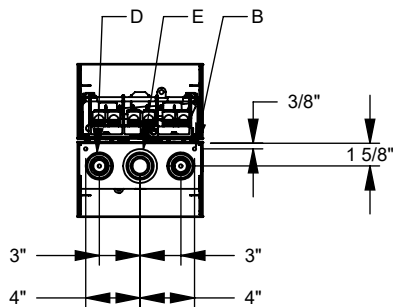
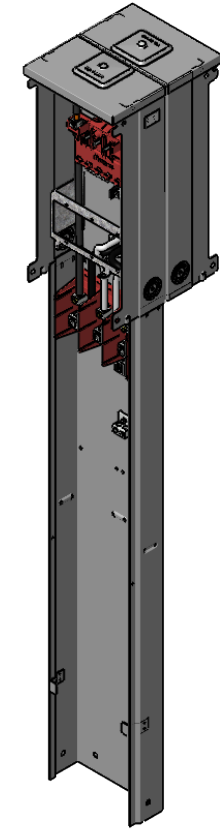
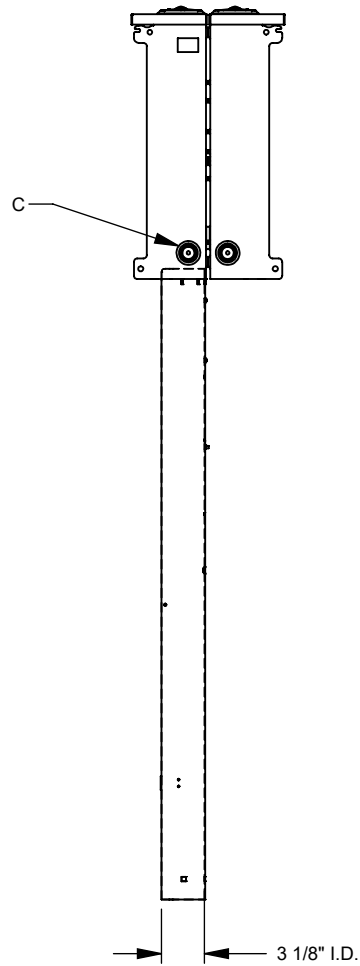
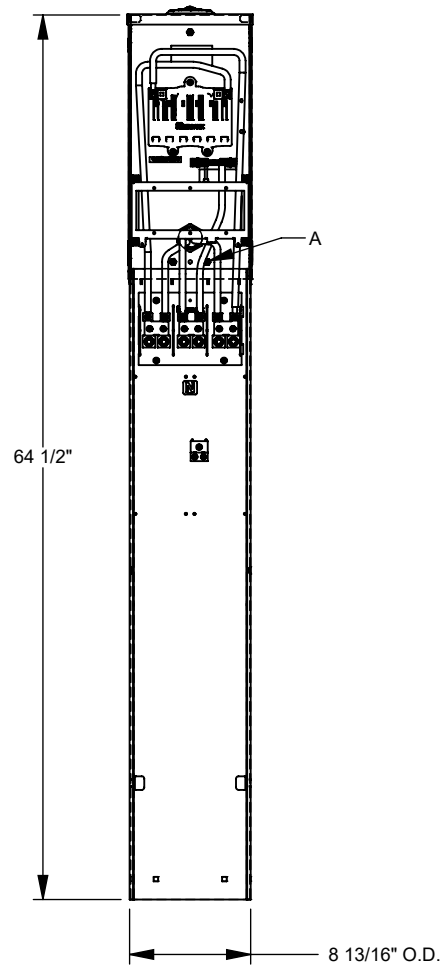


Catalog Number	U5220-XL-75
Marketing Product Description	Unmetered Small Closing Plate TT30 1450 520GR Double Pedestal Direct Bury
UPC	784572266407
Length (IN)	11.25
Width (IN)	8.656
Height (IN)	64.5
Brand Name	Milbank
Type	Unmetered Power Supply
Special Features	Single Pole 20 Ampere Breaker and Single Pole 30 Ampere Breaker and Double Pole 50 Ampere Breaker
Application	RV Power
Standard	UL Listed;Type 3R
Voltage Rating	Up to 240 Volts Alternating Current
Amperage Rating	125 Continuous Ampere
Phase	1 Phase
Frequency Rating	60 Hertz
Size	11.25L x 8.656W x 64.5H
Number Of Cutouts	6

Cutout Size	Two Single Pole 20 Ampere Breakers and Two Single Pole 30 Ampere Breakers and Two Double Pole 50 Ampere Breakers
Cable Entry	Underground
Terminal	Double Mechanical
Insulation	Glass Polyester
Mounting	Pedestal
Enclosure	G90 Galvanized Steel with Powder Coat Finish
Jaw Quantity	0 Terminals
Bypass Type	No Bypass
Number of Meter Positions	Double Power Head
Equipment Ground	2 Barrel Ground Lug and Ground Bar
Hub Opening	Small Closing Plate
Line Side Wire Range	6 AWG - 350 kcmil
Number Branch Circuits	4
Number Of Receptacles	6
Receptacle Configuration	Two NEMA 14-50 and Two NEMA TT30 and Two NEMA 5-20 Ground Fault

Please consult serving utility for their requirements prior to ordering or installing, as specifications and approvals vary by utility and may require local electrical inspector approval. All installations must be installed by a licensed electrician and must comply with all national and local codes, laws and regulations. Milbank reserves the right to make changes in specifications and features shown without notice or obligation.

FEATURE TABLE		
ITEM	QTY	DESCRIPTION
A	6	U/L MNTG.EMBOSS
B	2	1/4 SOLID K.O.
C	4	1/2, 3/4, 1, 1 1/4 CONC. K.O.
D	2	1/2, 3/4, 1, 1 1/4, 1 1/2 CONC. K.O.
E	1	3/4, 1, 1 1/4, 1 1/2, 2 CONC. K.O.



Version:

1

**All dimensions are +/- 1/16".
Drawing views are not to scale.**

Please consult serving utility for their requirements prior to ordering or installing, as specifications and approvals vary by utility, and may require local electrical inspector approval. All installations must be installed by a licensed electrician and must comply with all national and local codes, laws and regulations. Milbank reserves the right to make changes in specifications and features shown without notice or obligation.