

Product data sheet

Specifications

SQUARE D



Mini circuit breaker, Homeline, 15A, 1 pole, 120VAC, 10kA AIR, ground fault class B, plug in, UL [TAA]

HOM115EPD

! Discontinued

! Discontinued on: Jun 30, 2023

Product availability: Non-Stock - Not normally stocked in distribution facility

Main

Product	Miniature circuit-breaker
Range	Homeline
Current Rating	15 A
Certifications	UL Listed
Voltage Rating	120 V AC
Mounting Type	Plug-in
Number of Poles	1P
Short Circuit Current Rating	10 kA
Number of Spaces	1
Circuit Breaker Type	Ground fault protecting class B 30 mA
Ratings	HACR rated
Electrical Connection	Screw clamp terminals
Wire Size	1 x AWG 14...AWG 8 (aluminium/copper)

Complementary

Tightening torque	35.4 lbf.in (4.0 N.m) 0.004...0.009 in ² (2.5...6 mm ²) (AWG 14...AWG 8)
-------------------	---

Environment

Ambient air temperature for operation	104 °F (40 °C)
---------------------------------------	----------------

Ordering and shipping details

Category	US1DE3D00143
Discount Schedule	DE3D
GTIN	785901944102
Returnability	No
Country of origin	MX

Packing Units

Unit Type of Package 1	PCE
------------------------	-----

Price is "List Price" and may be subject to a trade discount – check with your local distributor or retailer for actual price.

Number of Units in Package 1	1
Package 1 Height	1.30 in (3.302 cm)
Package 1 Width	3.90 in (9.906 cm)
Package 1 Length	5.50 in (13.97 cm)
Package 1 Weight	0.659 lb(US) (0.299 kg)

Compliance

Compliance	TAA
-------------------	-----

Contractual warranty

Warranty	Lifetime
-----------------	----------

Environmental Data

Schneider Electric aims to achieve Net Zero status by 2050 through supply chain partnerships, lower impact materials, and circularity via our ongoing “Use Better, Use Longer, Use Again” campaign to extend product lifetimes and recyclability.

[Environmental Data explained >](#)

[How we assess product sustainability >](#)

Environmental footprint

[Environmental Disclosure](#)

[Product Environmental Profile](#)

Use Better

Materials and Substances

Packaging made with recycled cardboard

No

Packaging without single use plastic

No

[EU RoHS Directive](#)

Compliant with Exemptions

California proposition 65

WARNING: This product can expose you to chemicals including: Lead and lead compounds, which is known to the State of California to cause cancer and birth defects or other reproductive harm. For more information go to www.P65Warnings.ca.gov

Halogen content performance

Halogen free product

Use Again

Repack and remanufacture

[Circularity Profile](#)

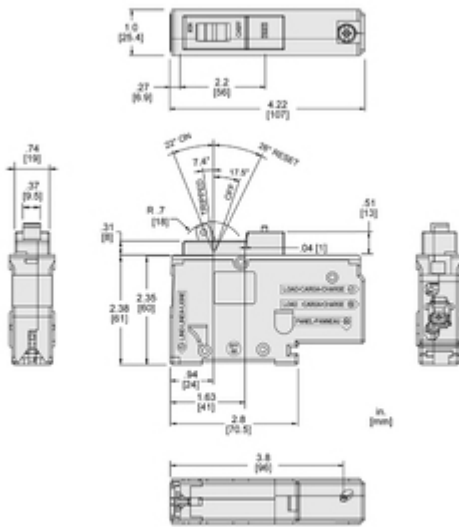
[End of Life Information](#)

Take-back

No

Technical Illustration

Dimensions



All dimensions are approximate. Also refer to technical drawings and documentation.